



# ASSEMBLY INSTRUCTIONS

**STYLE # : 73302**  
**CAROLINA QUEEN BED**

**(Box 1)**  
BOX OF HEADBOARD & FOOTBOARD

No	ITEM	Qty
A	Headboard 	1 pc
B	Footboard 	1 pc
C	Hb Leg L/R 	2 pcs

**(Box 2)**  
BOX OF SIDE RAIL

No	ITEM	Qty
D	Side Rail 	2 pcs
E	Center Slat Drawer 	1 pc
F	Bed Slat 	3 pcs
G	Bed Slat Support - 30 x 30 x 320mm 	5 pcs
H	Support Slat Drawer - 30 x 30 x 95mm 	1 pc
I	Concealed Panel 	5 pcs
J	Drawer Support Rail 	2 pcs
K	Bed Slat with marking 	2 pcs

**(Box 3)**  
BOX OF DRAWER

No	ITEM	Qty
L	Drawer Box 	2 pcs

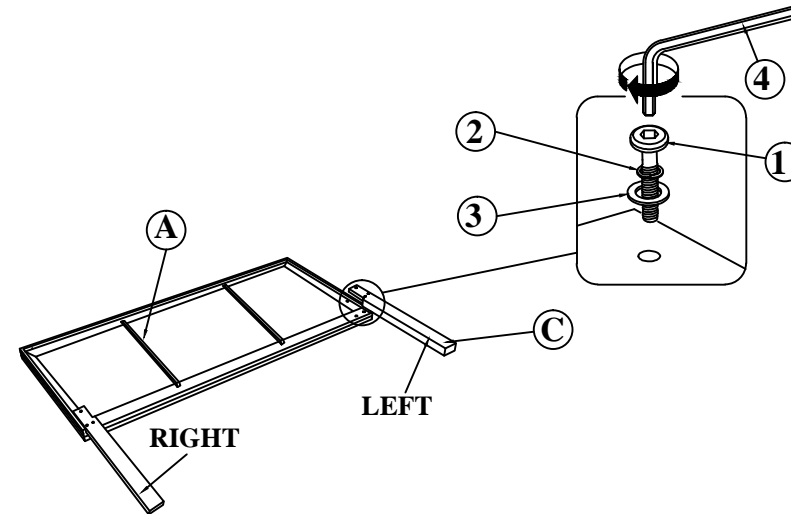
**(Box 1)**  
HARDWARE LIST

No	ITEM	Qty
1	JCBC BOLT M6 x 30MM 	6 pcs
2	SPRING WASHER M6 	6 pcs
3	FLAT WASHER M6 	6 pcs
4	ALLEN KEY M4 x 65MM 	1 pc

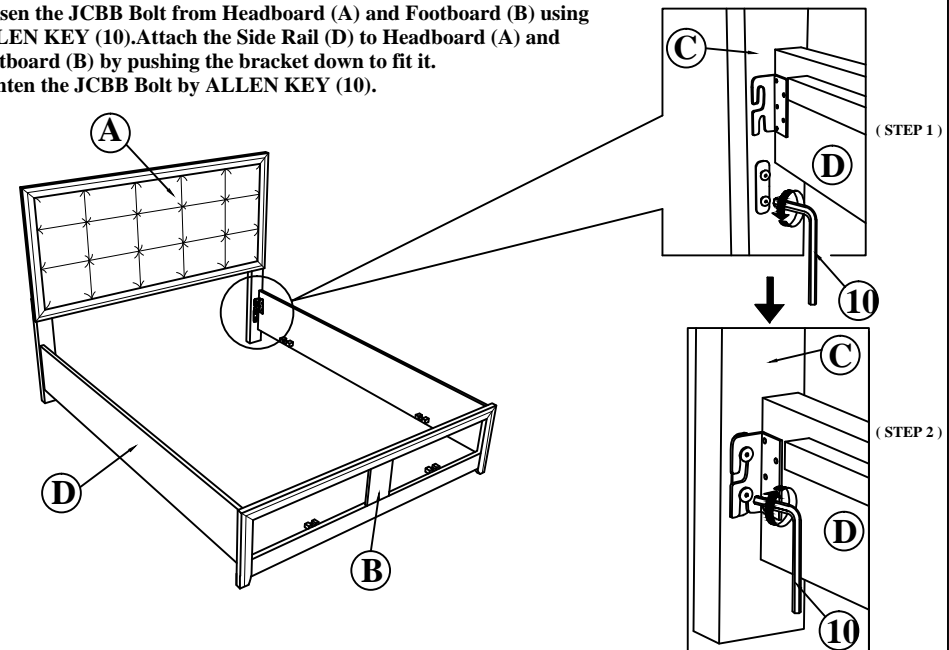
**(Box 2)**  
HARDWARE LIST

No	ITEM	Qty
5	CSK SCREW M4 x 32MM 	14 pcs
6	JCBC BOLT M6 x 35MM 	2 pcs
7	SPRING WASHER M6 	2 pcs
8	FLAT WASHER M6 	2 pcs
9	ALLEN KEY M4 x 65MM 	1 pc
10	ALLEN KEY M5 x 65MM 	1 pc
11	JCBC BOLT M6 x 50MM 	6 pcs
12	P/HEAD SCREW M3.5 x 20MM 	25 pcs

**STEP 1 :** Attach Head Board Leg ( C ) to Head Board ( A ) as shown using JCBC BOLT ( 1 ) with Spring Washer ( 2 ), Flat washer ( 3 ) and securing with ALLEN KEY ( 4 ).

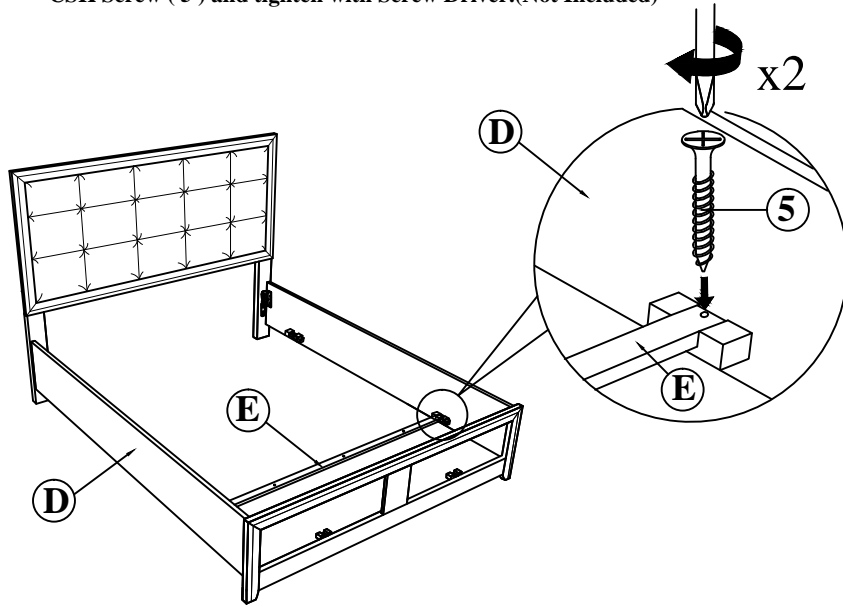


**STEP 2 :** Loosen the JCBB Bolt from Headboard ( A ) and Footboard ( B ) using ALLEN KEY ( 10 ). Attach the Side Rail ( D ) to Headboard ( A ) and Footboard ( B ) by pushing the bracket down to fit it. Tighten the JCBB Bolt by ALLEN KEY ( 10 ).

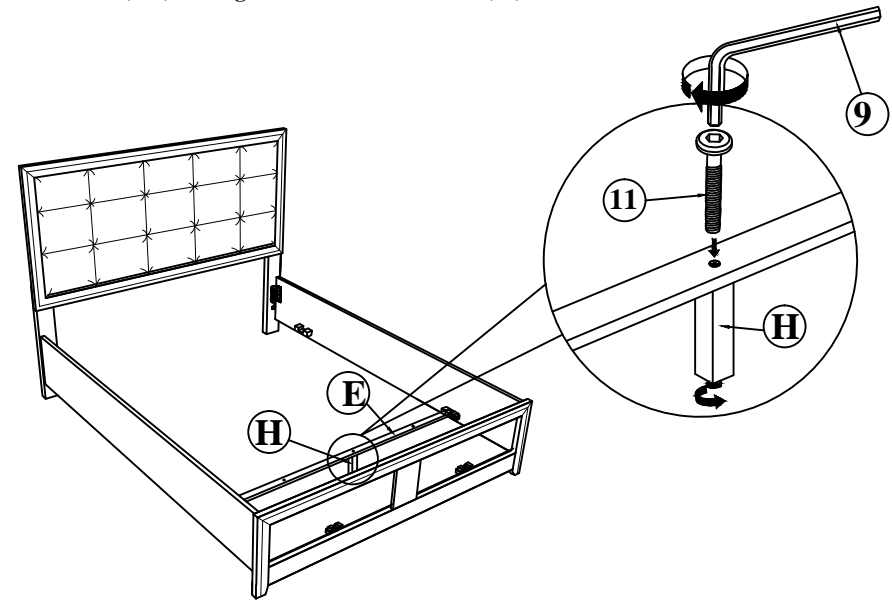


# ASSEMBLY INSTRUCTIONS

**STEP 3 :** Attach the Center Slat Drawer ( E ) to Side Rail ( D ) as shown using CSK Screw ( 5 ) and tighten with Screw Driver.(Not Included)

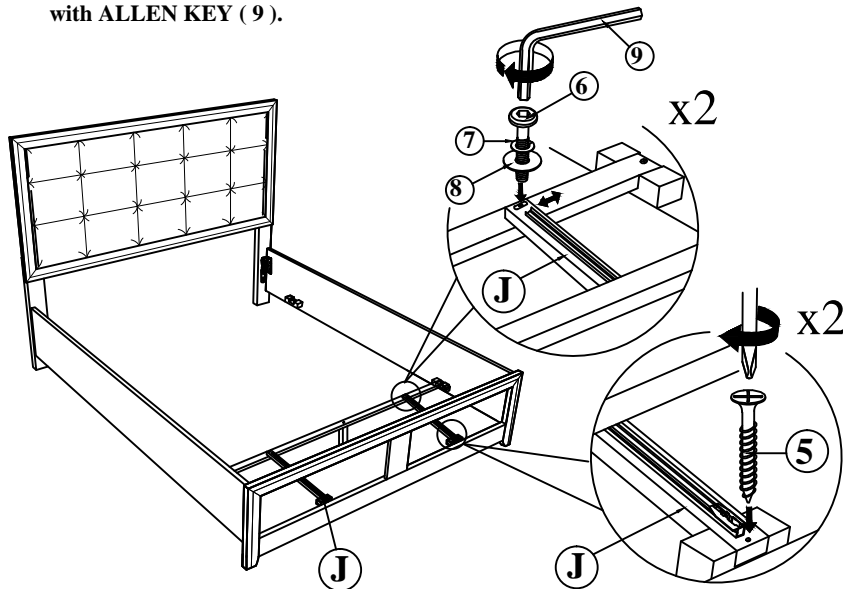


**STEP 4 :** Attach the Support Slat Drawer ( H ) to Center Slat Drawer ( E ) as shown using JCBC Bolt ( 11 ) and tighten with ALLEN KEY ( 9 ).

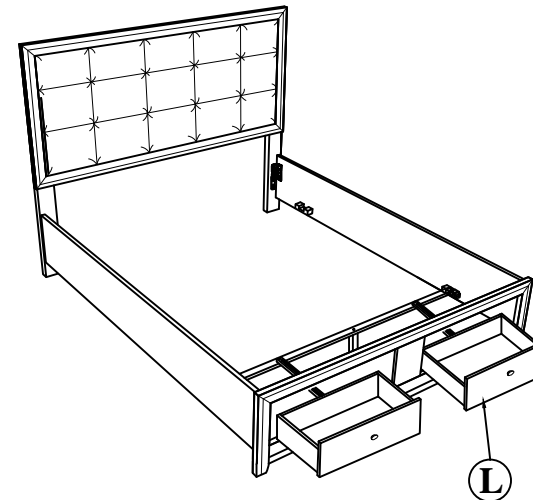


**STEP 5.1 :** Attach the Drawer Support Rail ( J ) as shown using CSK Screw ( 5 ) and tighten with Screw Driver.(Not Included)

**STEP 5.2 :** Using JCBC Bolt ( 6 ) with Spring Washer ( 7 ),Flat Washer ( 8 ) and securing with ALLEN KEY ( 9 ).

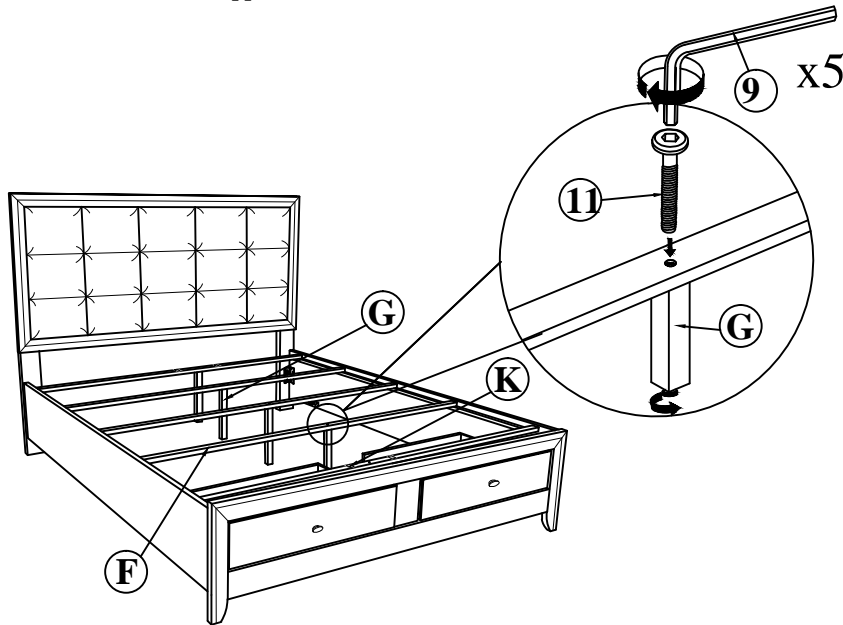


**STEP 6.1 :** Insert the Drawer ( L ) at the Drawer Support Rail ( J ).

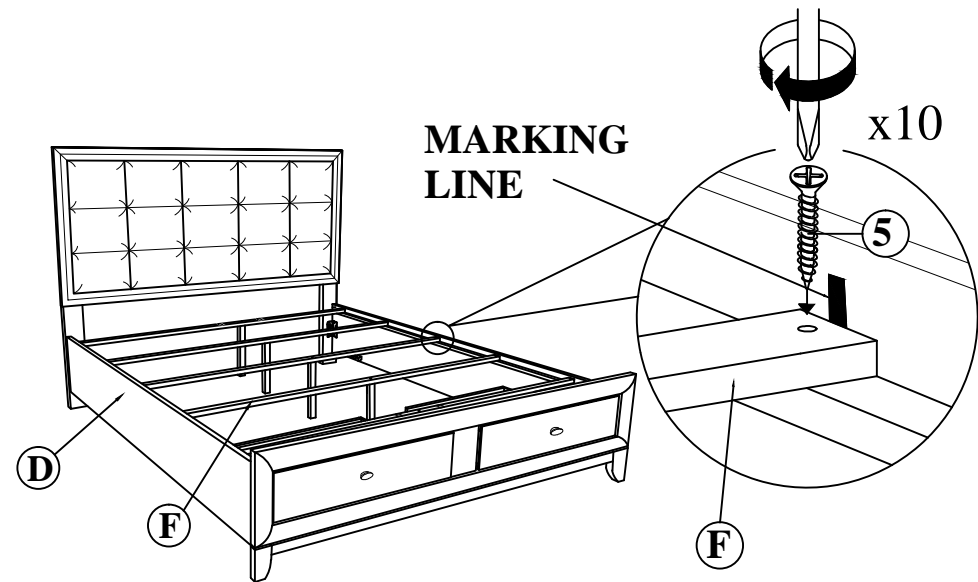


# ASSEMBLY INSTRUCTIONS

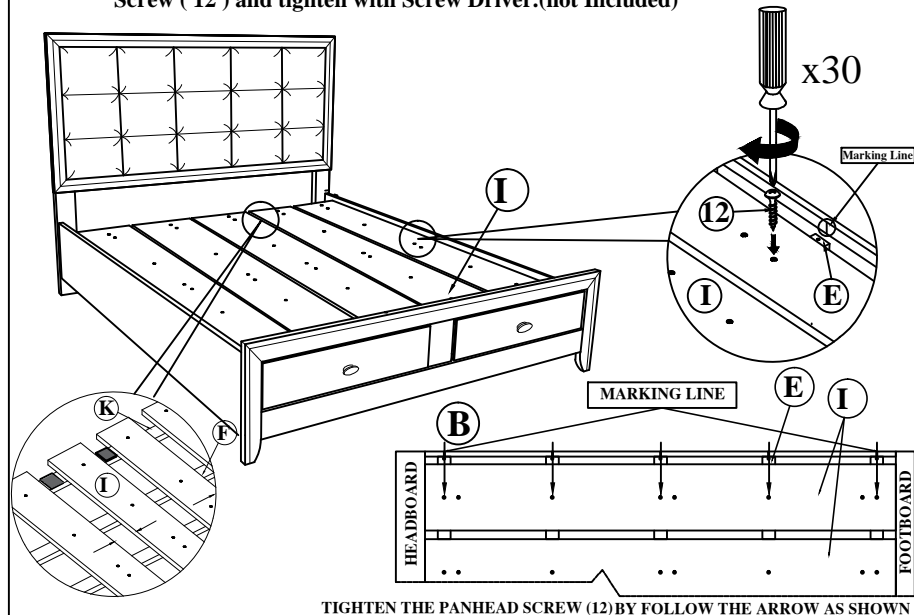
STEP 7 : Fix the Bed Slat Support ( G ) to the Bed Slat ( F ) & ( K ) as shown.



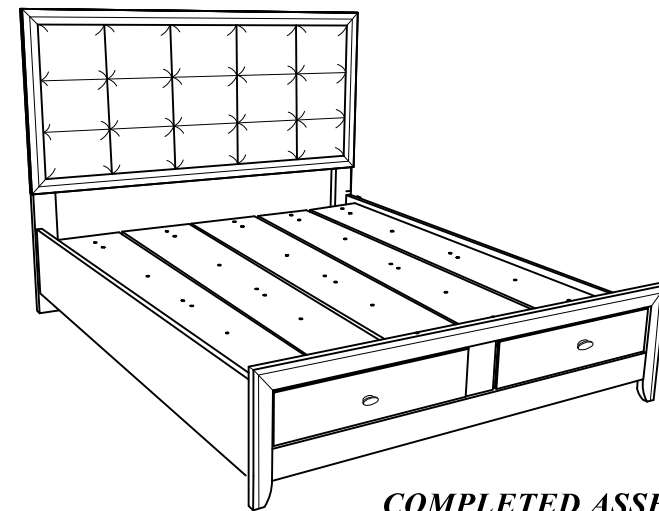
STEP 8 : Fix the Bed Slat ( F ) to the Side Rail ( D ) by using SCK Screw ( 9 ) as shown.



STEP 9 : Attach Concealed Panel ( I ) at the upper Bed Slat ( F ) & ( K ) using Panhead Screw ( 12 ) and tighten with Screw Driver.(not Included)



TIGHTEN THE PANHEAD SCREW (12) BY FOLLOW THE ARROW AS SHOWN



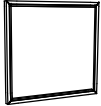


# ASSEMBLY INSTRUCTIONS

STYLE # : 73304 & 73305  
**CAROLINA DRESSER & MIRROR**


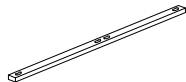
**(BOX 1)**

BOX OF MIRROR

NO	ITEM	QTY
	MIRROR	
A		1 PC

**(BOX 2)**

BOX OF DRESSER

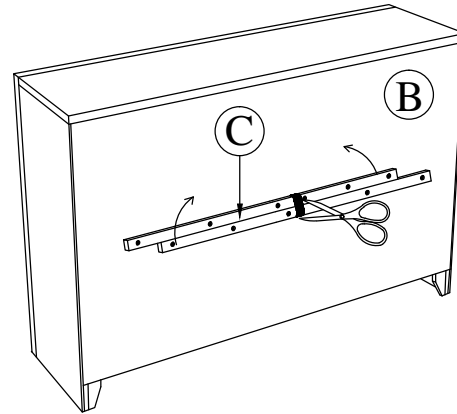
NO	ITEM	QTY
	DRESSER	
B		1 PC
	MIRROR SUPPORT	
C		2 PCS

**(BOX 1)**

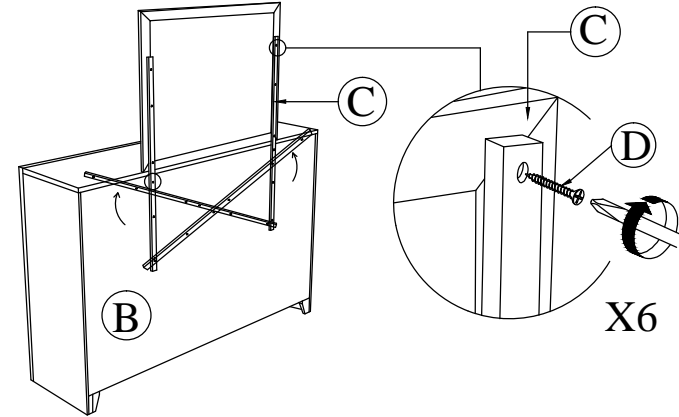
HARDWARE LIST

NO	ITEM	QTY
1	FLAT HEAD CHIPBOARD SCREW m4 x 32mm RBW 	12 PCS

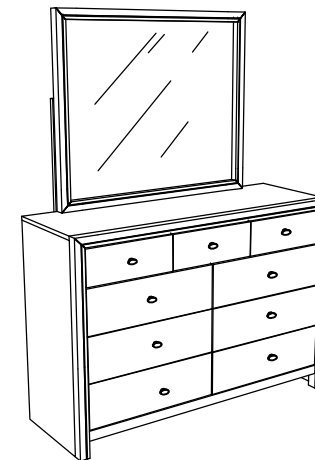
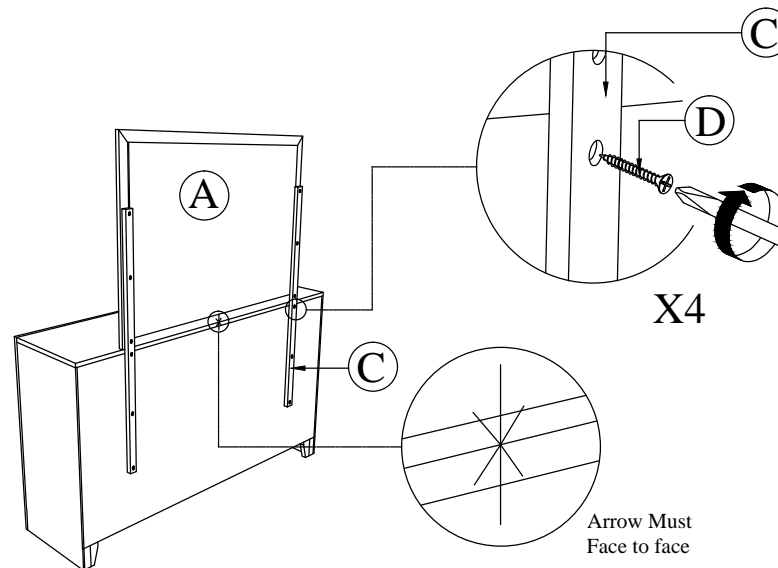
**STEP 1 :** Cut of the Raffia String from the back of DRESSER ( B ).



**STEP 2 :** Turn the MIRROR SUPPORT RAIL ( C ) upward at the back of DRESSER ( B ), then Tighten with CSK SCREW ( D ). Place the MIRROR FRAME ( A ) on the top of DRESSER ( B ). Tighten with CSK Screw ( D ).



**STEP 3 :** Tighten the CSK Screw ( D ) as shown.



**COMPLETED**  
**ASSEMBLY**