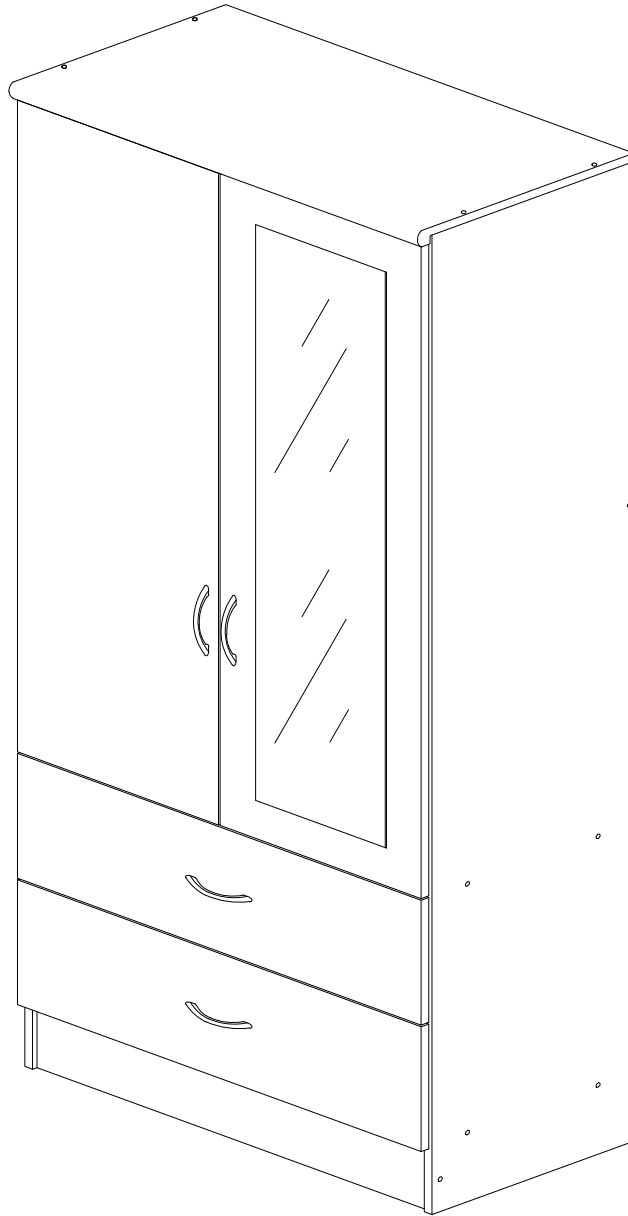




Hodedah
www.hodedah.com
[support @hodedah.com](mailto:support@hodedah.com)

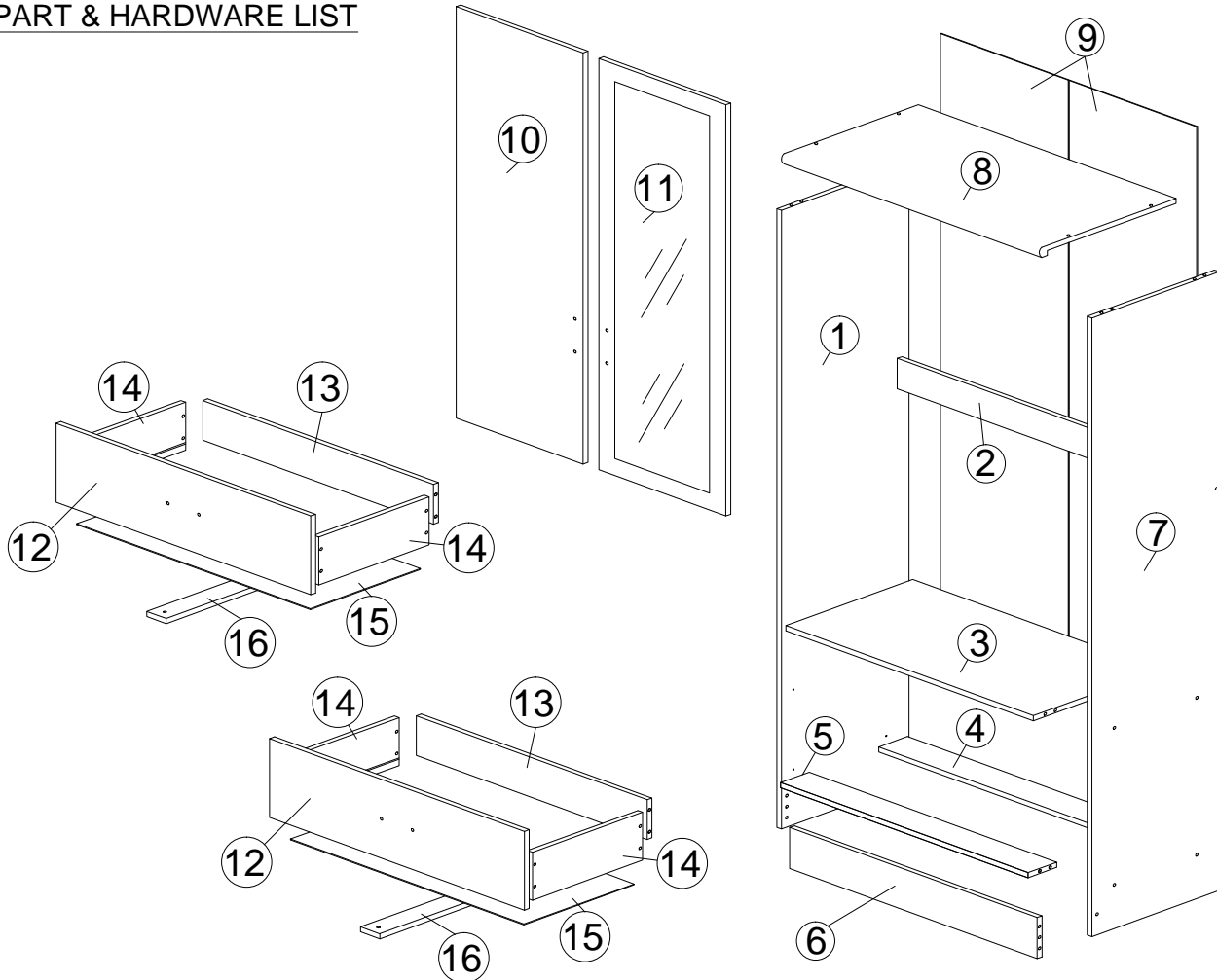


HI 288

L31 $\frac{1}{8}$ " X D16 $\frac{6}{8}$ " X H71 $\frac{5}{8}$ "



PART & HARDWARE LIST



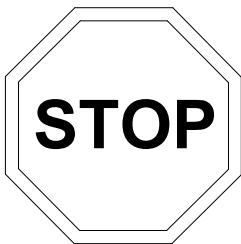
A		PLASTIC DOWEL M8 X 25MM	18
B		CB SCREW M3.5 X 12MM	28
C		CB SCREW M3.5 X 16MM	17
D		CB SCREW M4 X 25MM	4
E		CB SCREW M4 X 35MM	20
F		JCBC W M6 X 40MM	16
G		ALLEN KEY	1
H		POWER NAIL 6/8	90
I		PVC LEG STUD (L & R)	2+2
J		CABINET STOPPER	1

K		DRAWER SLIDE 14"	4+4
L		ALUMINIUM PIPE (787MM)	1
M1		HANDLE IP994 (96MM) - PVC	4
M2		P/H SCREW M4 X 20MM	4
M3		P/H SCREW M4 X 36MM	4
N		HINGES (OUTSIDE) 5/8"	4
O		H- PROFILE (1670MM)	1



Hodedah
www.hodedah.com
[support @hodedah.com](mailto:support@hodedah.com)

- This product contains small components, please ensure that they are kept away from small children.
- THIS INSTRUCTION BOOKLET CONTAINS **IMPORTANT** SAFETY INFORMATION. PLEASE READ AND KEEP FOR FUTURE REFERENCE.



DO NOT RETURN PRODUCT TO THE STORE.

If a part is missing or damaged, email our customer service. We will gladly ship your replacement parts **FREE** of charge.

Need Parts or Assistance?

email us at

support@hodedah.com

For prompt, reliable service; please have your assembly manual ready.



Hodedah
www.hodedah.com
[support @hodedah.com](mailto:support@hodedah.com)

Thank you for purchasing from Hodedah

**To learn more about hodedah and our products visit
www.hodedah.com**

READ BEFORE BEGINNING ASSEMBLY

- Read each step carefully. It is very important that each step of instruction is performed in the correct order. If these steps are not followed in sequence, assembly difficulties will occur.
- Make sure all parts are included. Most parts are labeled or stamped on the raw edge.
- Work in spacious area, preferably on a carpet, near the place the unit will be used.
- Do not use power tools to assemble your furniture. Power tools may strip or damage the parts.

HELPFUL HINTS

- Call us if you need assistance.
- Move your new furniture carefully, with two people lift and carry the unit to it's new location.
- Never push, drag or pull your furniture (especially on carpet).

Warranty Information

Hodedah warrants this product to be free from defects in material and workmanship agrees to remedy any such defect. This warranty covers one year from the date of original purchase. This is solely limited to be repair or replacement of defective parts and no assembly labor is included.

This warranty does not apply to any product which has been improperly assembled, subjected to misuse or abuse or which has been altered or repaired in any way.

To obtain warranty, purchaser must present original bill of sale. Components repaired or replaced warranted through the remainder of the original warranty period only. The defective components will be repaired or replaced without charge, subject to the terms and conditions described above.

**For help with assembly, identifying parts, product information or to
order parts, please contact us :**

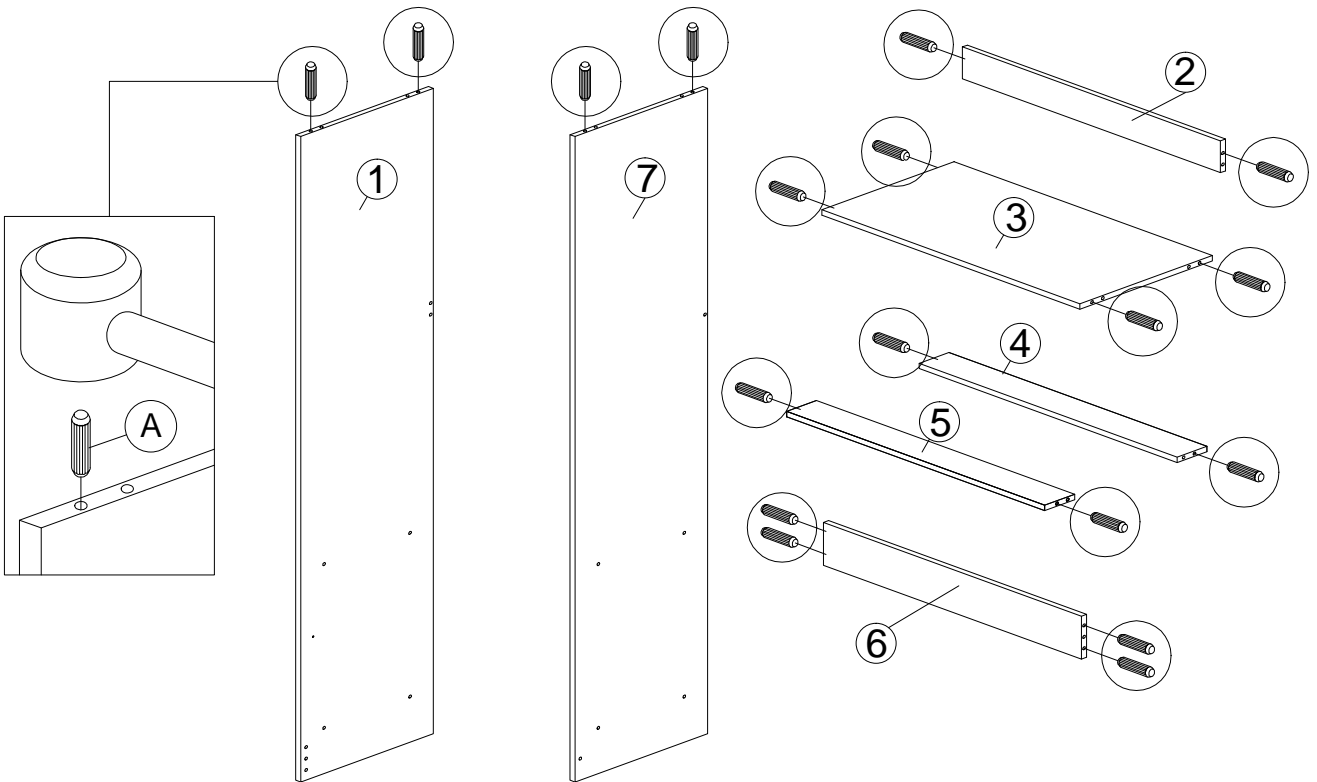
Call us at :
718-456-0505
Monday - Friday
9:00am - 5:00pm

Visit our website :
www.hodedah.com



STEP 1

A		PLASTIC DOWEL M8 X 25MM	18
---	---	-------------------------	----

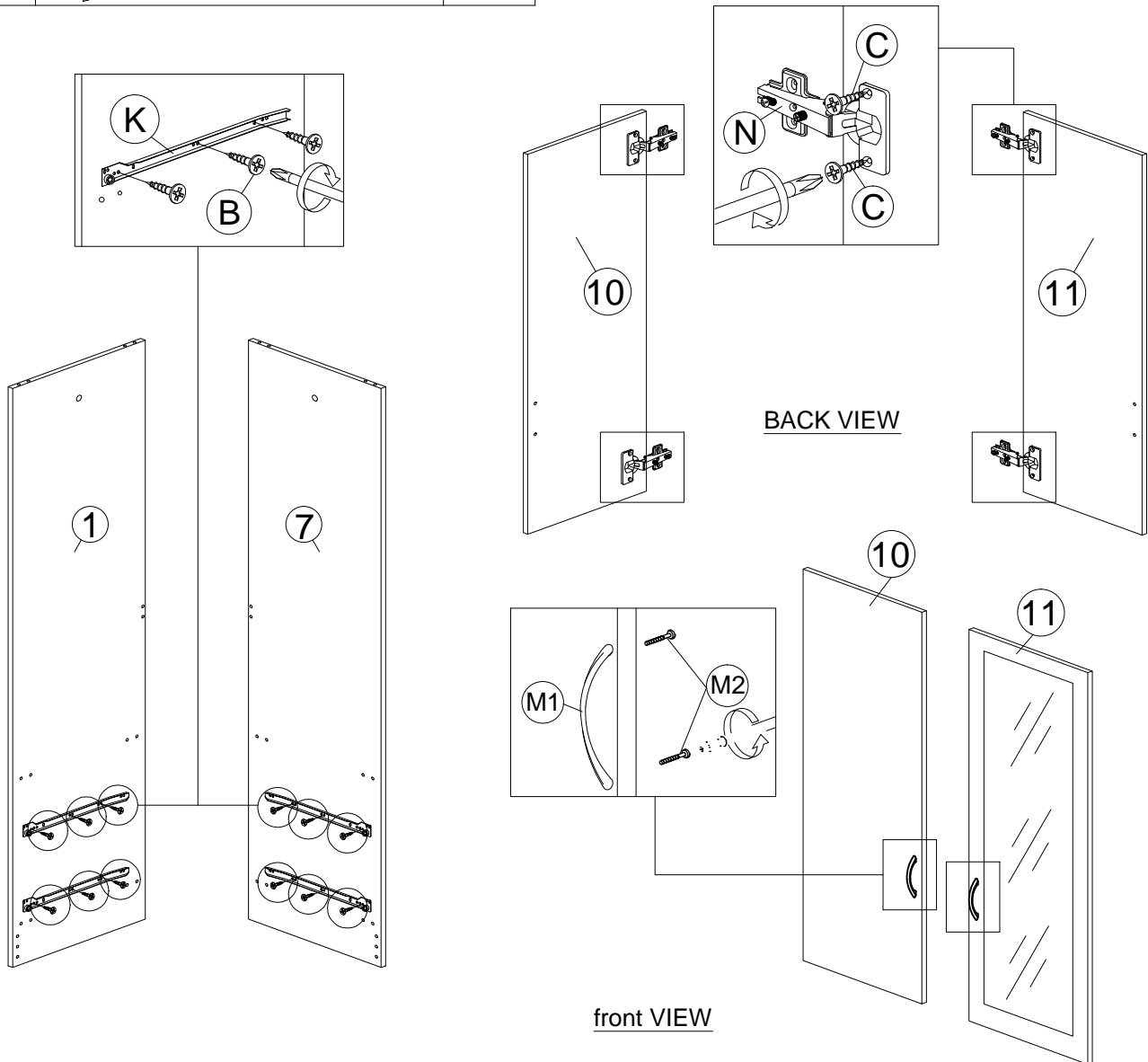


- Insert 18 x Plastic dowel (A) into Panels (1), (2) (3), (4), (5), (6) & (7) using a plastic hammer.

STEP 2

B		CB SCREW M3.5 X 12MM	4
C		CB SCREW M3.5 X 16MM	6
K1		DRAWER SLIDE 14"	4

M1		HANDLE IP994 (96MM) - PVC	2
M2		P/H SCREW M4 X 20MM	4



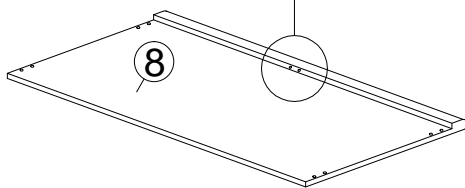
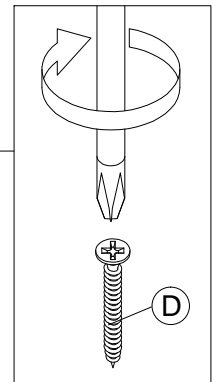
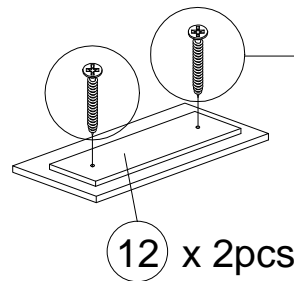
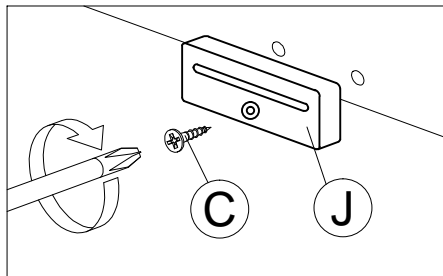
- Assemble 4 x Drawer slide (K1) to Panel (1) & (7) with 12 x CB Screw M3.5 x 12m (B) using Philips head screwdriver.
- Insert 4 x Hinges (N) into back side of Panel (10) & (11) with 8 x Cb Screw M3.5 x 16mm (C) by using Philips head screwdriver.
- Attach 2 x Handle IP994 (M1) to Panel (10) & (11) front with 4 x P/H Screw M4 x 20mm (M2) using a Philips head screwdriver.



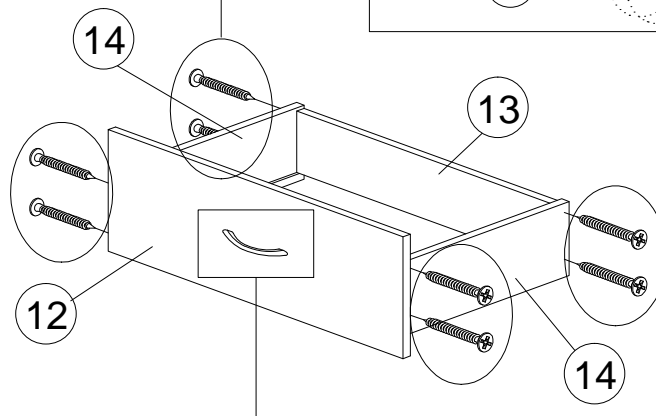
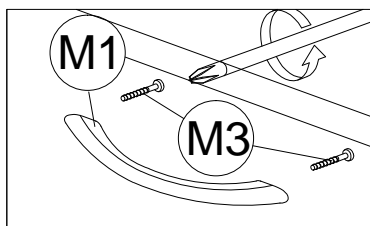
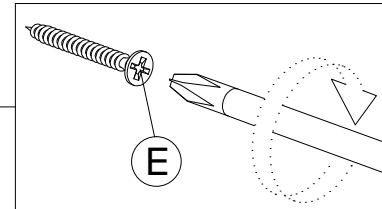
STEP 5

C		CB SCREW M3.5 X 16MM	1
D		CB Screw M4 X 25MM	4
E		CB Screw M4 X 35MM	16

J		CABINET STOPPER	1
M1		HANDLE IP994 (96MM) - PVC	2
M3		P/H SCREW M4X36	4



BOTTOM VIEW

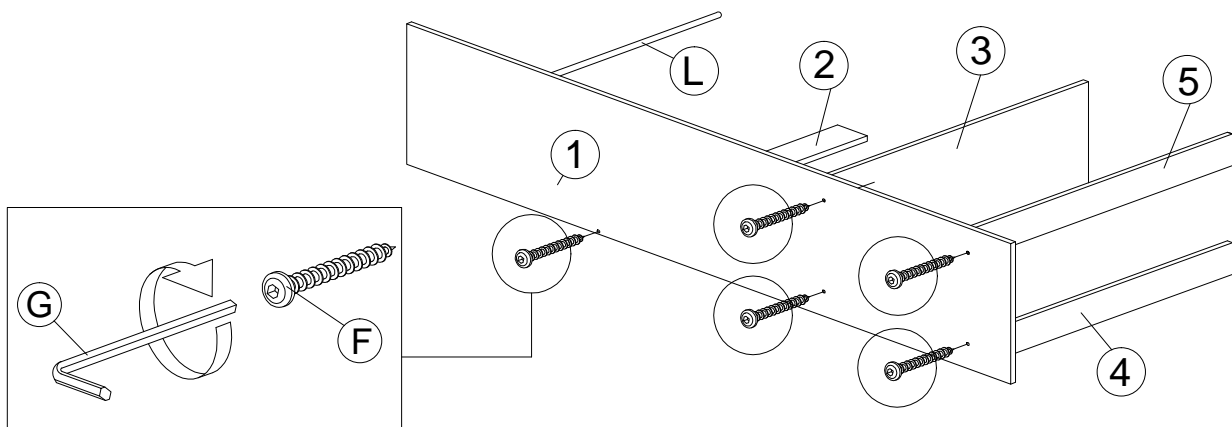
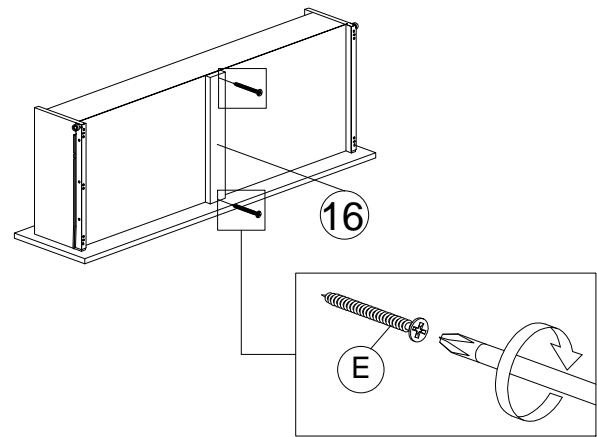
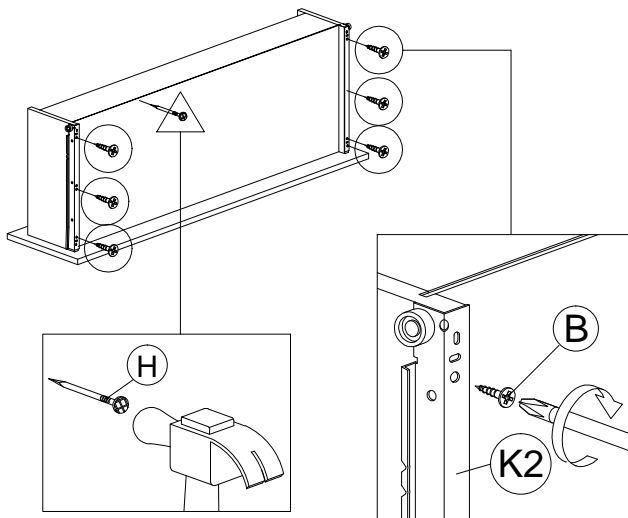


- Fixed 1 x Cabinet stopper (J) into panel (8) base, with 1x CB Screw M3.5 x 16mm (C). Tighten using a Phillips head screwdriver.
- Insert 2 x CB Screw M4 x 25mm (D) to Panel (12) back using a Phillips head screwdriver.
- Fix 2 x Handle (M1) to Panel (12) front. Insert 4 x P/H Screw M4 x 36mm (M3) & tighten with Phillips head screwdriver.
- Attach 2 x Panel (14) to Panel (12). Then attach 1 x Panel (13) to Panel (14) using CB screw M4 x 35mm (E) using Phillips head screwdriver. Repeat for another Drawer box.

STEP 6

B		CB SCREW M3.5 X 12MM	12
E		CB SCREW M4 X 35MM	4
F		JCBC W M6 X 40MM	5

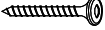
G		ALLEN KEY	1
H		POWER NAIL 6/8"	28
K2		DRAWER SLIDE 14"	4
L		ALUMINIUM PIPE (787M)	1



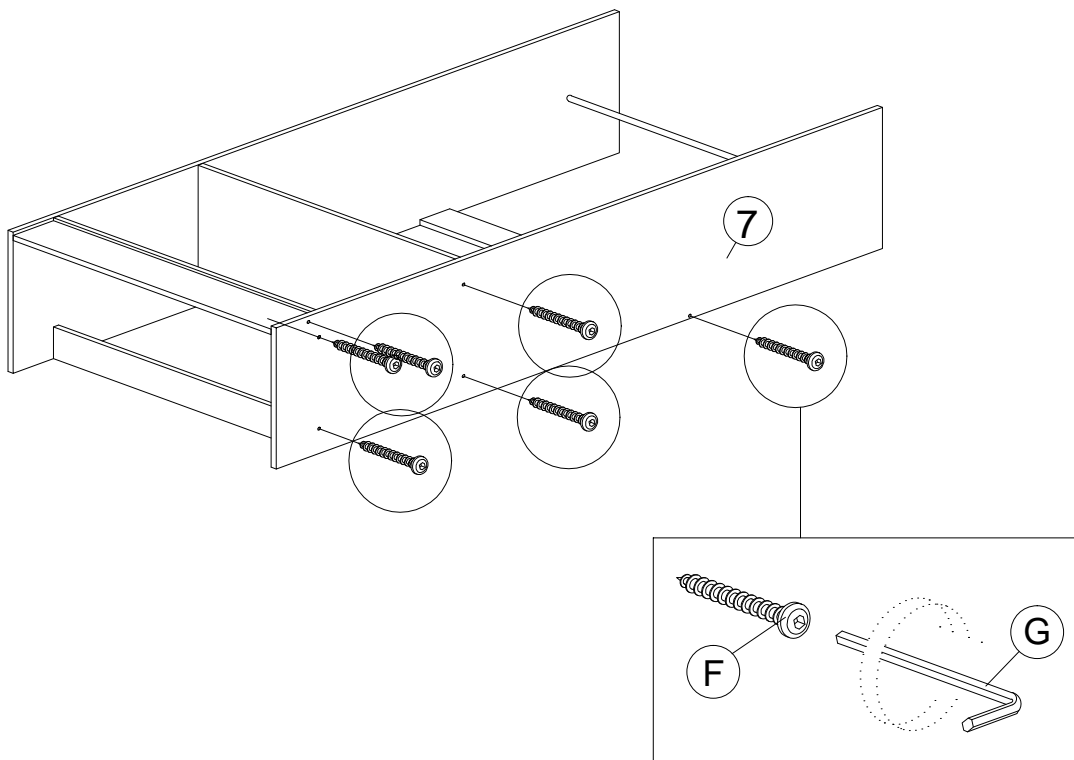
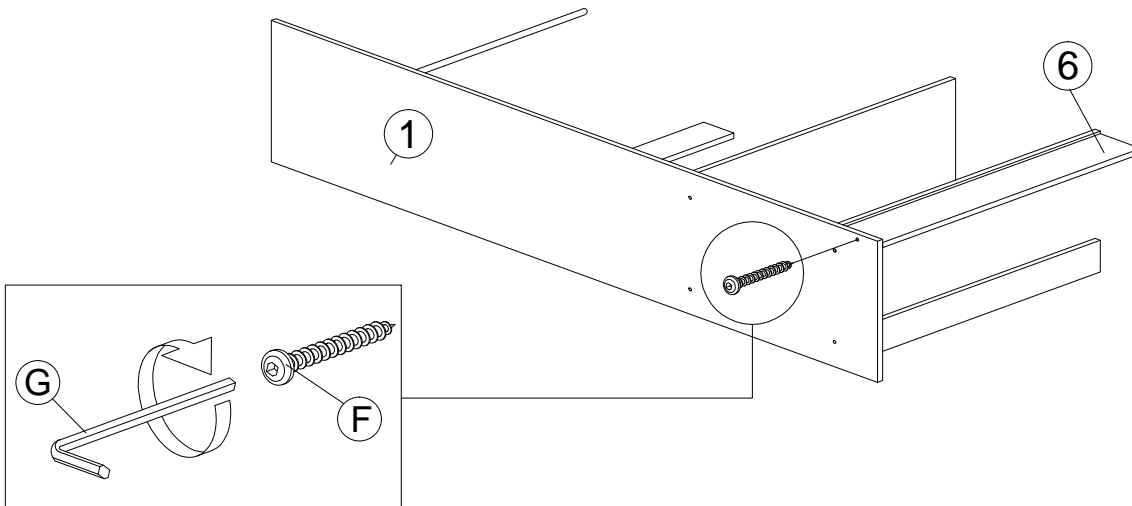
- Fix 2 x Drawer slide 14" (K2) into both Panel (14) using 6 x CB Screw M3.5 x 12mm (B) & tighten with Philip head screwdriver. Repeat step for another drawer box.
- Slot 1 x Panel (15) into Panel (14) groove & use 14 x Power nail (H) for fix it. Knock by using a hammer. Repeat step for the another Drawer box.
- Place the 1 x Panel (16) at the base of drawer box. Use 2 x CB Screw M4 x 35mm (E) & tighten with Philip head screwdriver. Repeat step for another drawer box.
- Attach Panel (2), (3), (4) & (5) into Panel (1) with 5 x JCBC W M4 x 40mm (F) & tighten with Allen Key (G).
- Slot Aluminium Pipe (L) into Panel (1) hole.



STEP 6

F		JCBC W M6 X 40MM	7
---	---	------------------	---

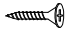
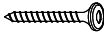
G		ALLEN KEY	1
---	--	-----------	---

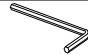


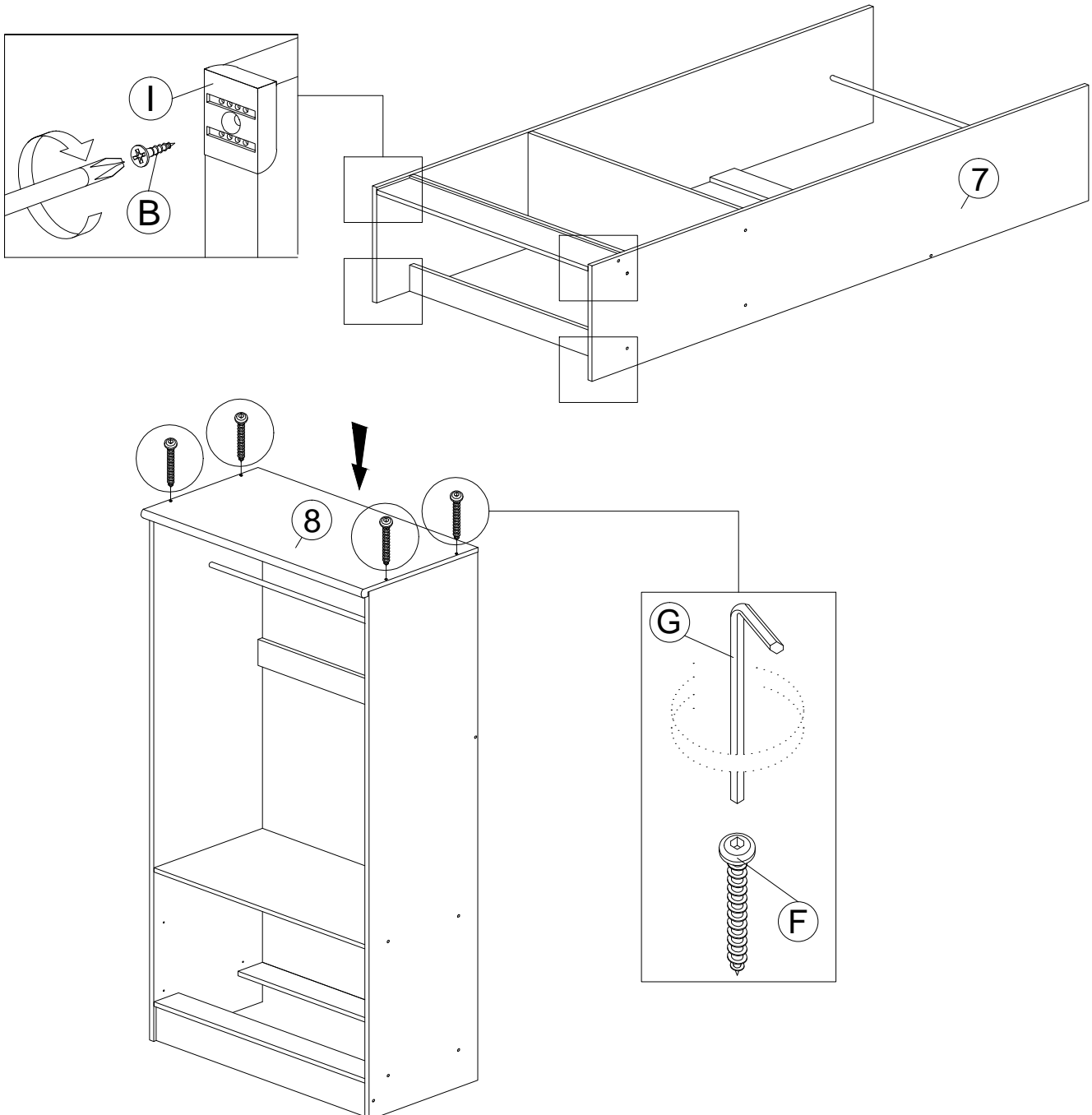
- Attach Panel (6) into Panel (1) with 1 x JCBC W M4 x 40mm (F) & tighten with Allen Key (G).
- Attach Panel (2), (3), (4) & (5) into Panel (7) with 6 x JCBC W M4 x 40mm (F) & tighten with Allen Key (G).



STEP 6

B		CB SCREW M3.5 X 12MM	4
F		JCBC W M6 X 40MM	4

I		PVC LEG STUD (L&R)	2
G		ALLEN KEY	1




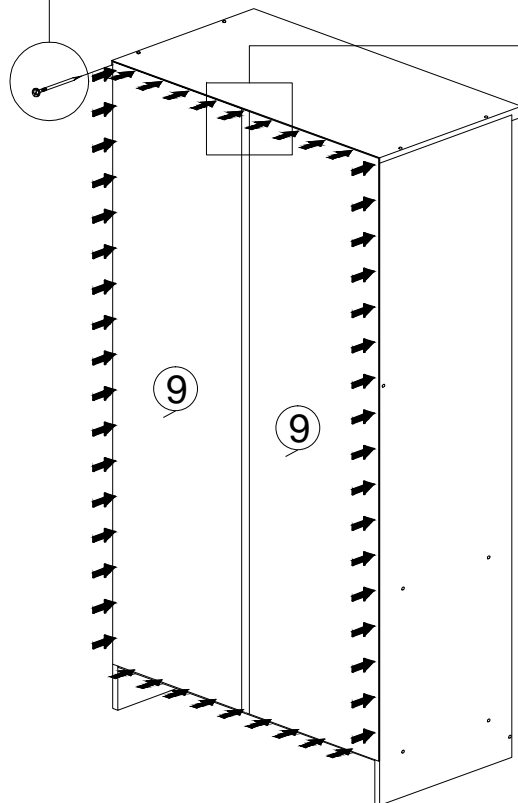
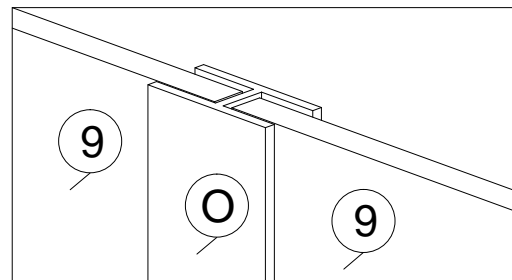
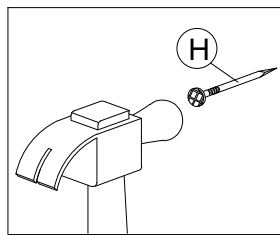
- Fix 2+2 x Pvc leg stud (I) into Panel (1) & (7) using 4 x CB Screw M3.5 x 12mm (B) & tighten with Philip head screwdriver.
- Attach Panel (8) into Panel (1) & (7) with 4 x JCBC W M4 x 40mm (F) & tighten with Allen Key (G).



STEP 6

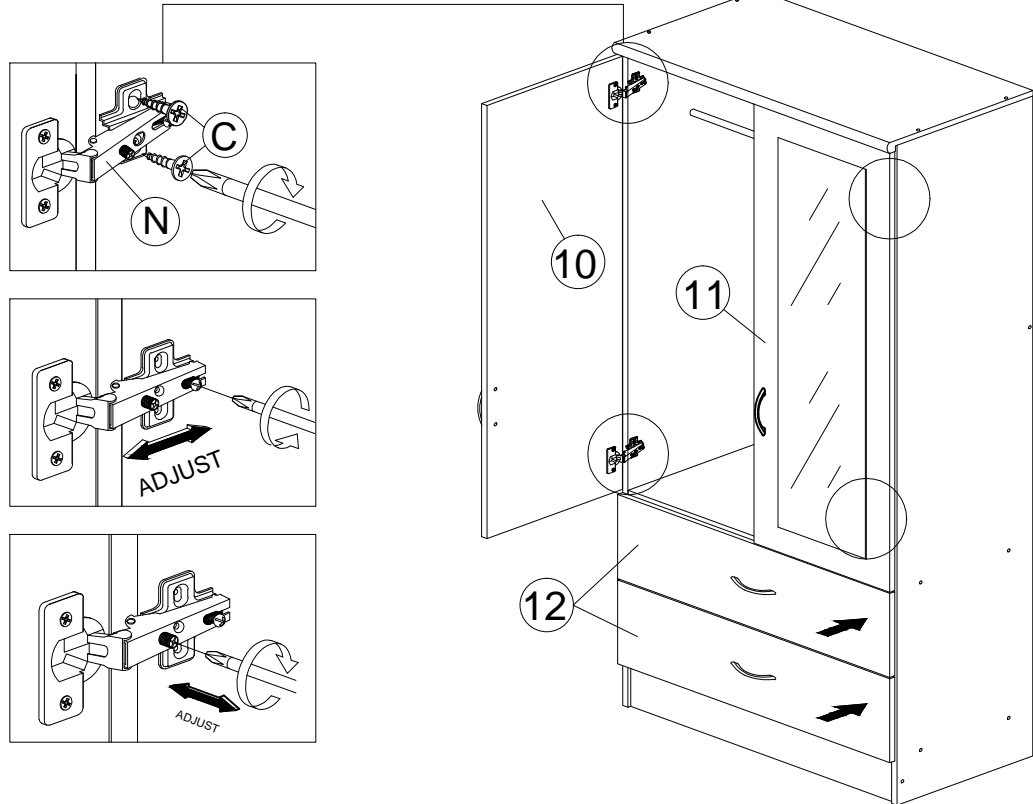
H		POWER NAIL 5/8"	62
---	---	-----------------	----

O		H- PROFILE (1670mm)	1
---	--	---------------------	---

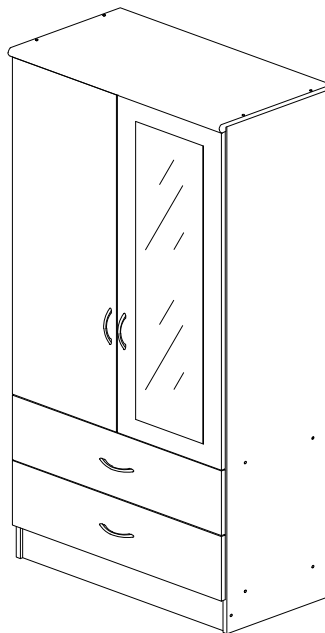


- Slot both Panel (9) into groove at H- profile (O).
- Attach Panel (9) at the back of wardrobe, use 62 x Power nail (H) for fix it. Knock by using a hammer.

STEP 7



- Attach Panel (10) & (11) Hinges (N) with 8 x CB Screw M3.5 x 16mm (C) into Panel (1) & Panel (7) using Philip screwdriver.



Job Complete !

In the interest of our environment please dispose of all packaging thoughtfully.