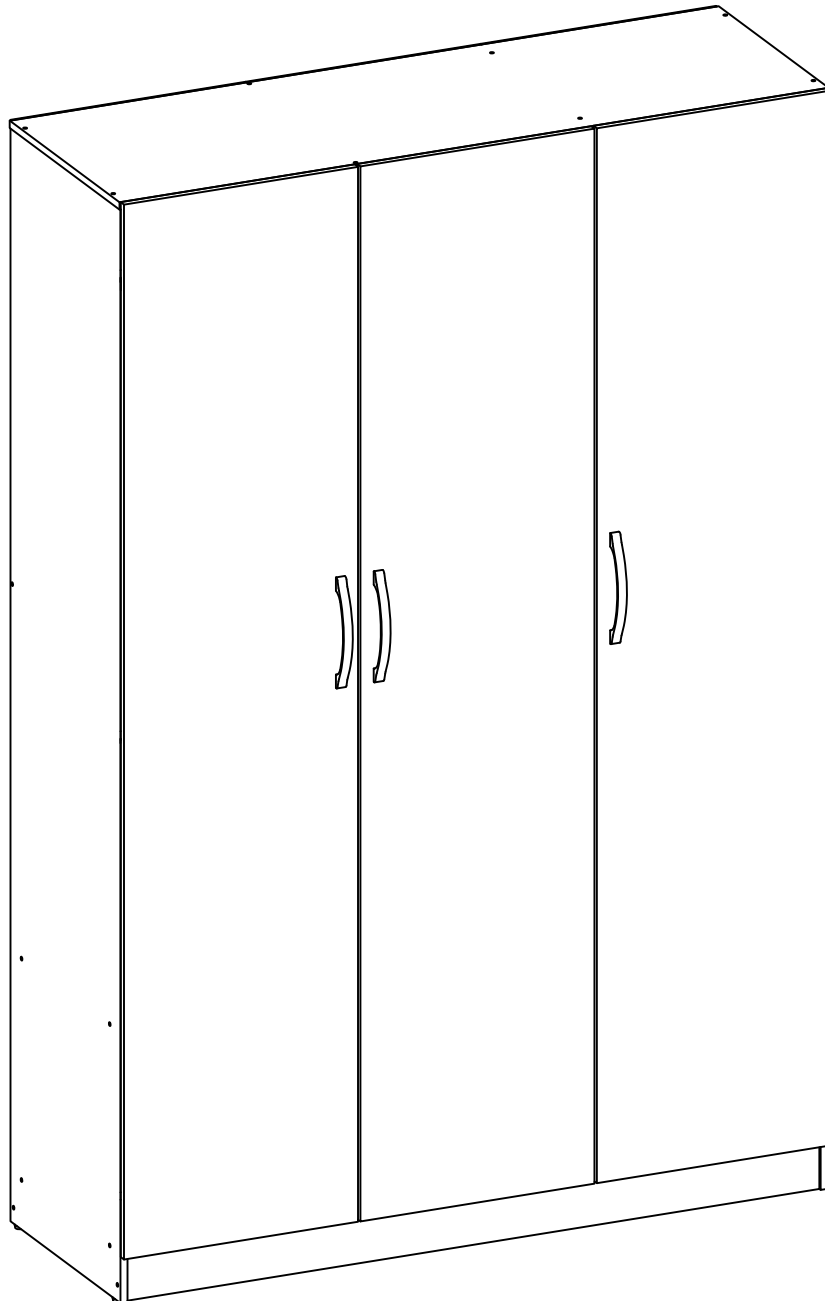




Hodedah

www.hodedah.com

support@hodedah.com



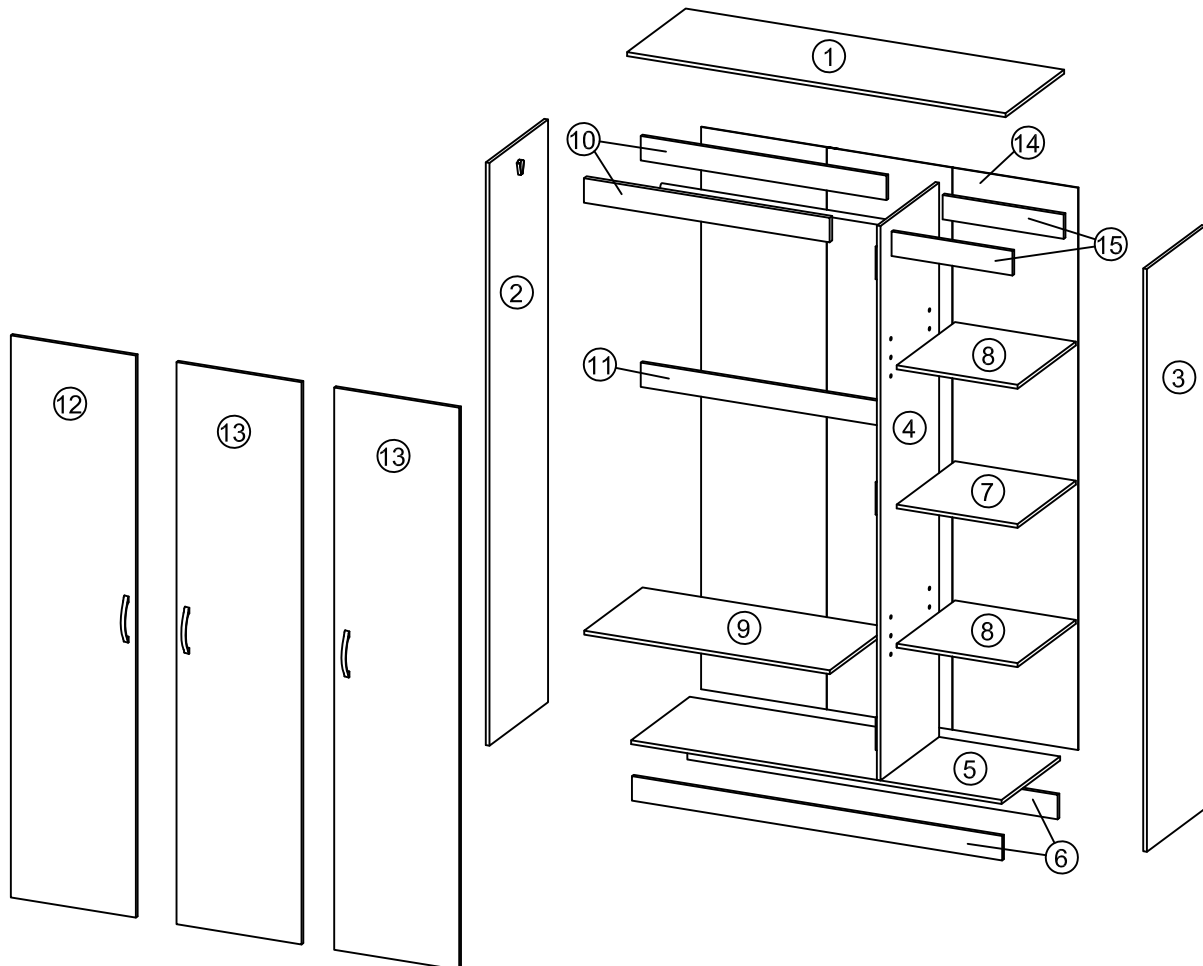
HID 2060
W47.3" x D16.3" x H70.9"




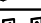
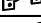





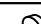

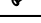
Hodedah

www.hodedah.com
support@hodedah.com

Parts and Hardware List



A		CSK SCREW M3.5 x 12 mm	40
B		CSK SCREW M4 x 25 mm	6
C		JCBCW SCREW M5 x 40 mm	28
D		WOOD DOWEL M6 x 25 mm	26
E		HINGES MINI	9
F		HANDLE 160 PVC	3

G		METAL SHELF SUPPORT	8
H		V - BRACKET	2
I		PIPE 771 mm	1
J		PVC NAIL 5/8"	4
K		NAIL	64
L		ALLEN KEY	1



Hodedah

www.hodedah.com

support@hodedah.com

- This product contains small components, please ensure that they are kept away from small children.
- THIS INSTRUCTION BOOKLET CONTAINS **IMPORTANT** SAFETY INFORMATION. PLEASE READ AND KEEP FOR FUTURE REFERENCE.



DO NOT RETURN PRODUCT TO THE STORE.

If a part is missing or damaged, email our customer service. We will gladly ship your replacement parts FREE of charge.

Need Parts or Assistance?

email us at

support@hodedah.com

For prompt, reliable service; please have your assembly manual ready.



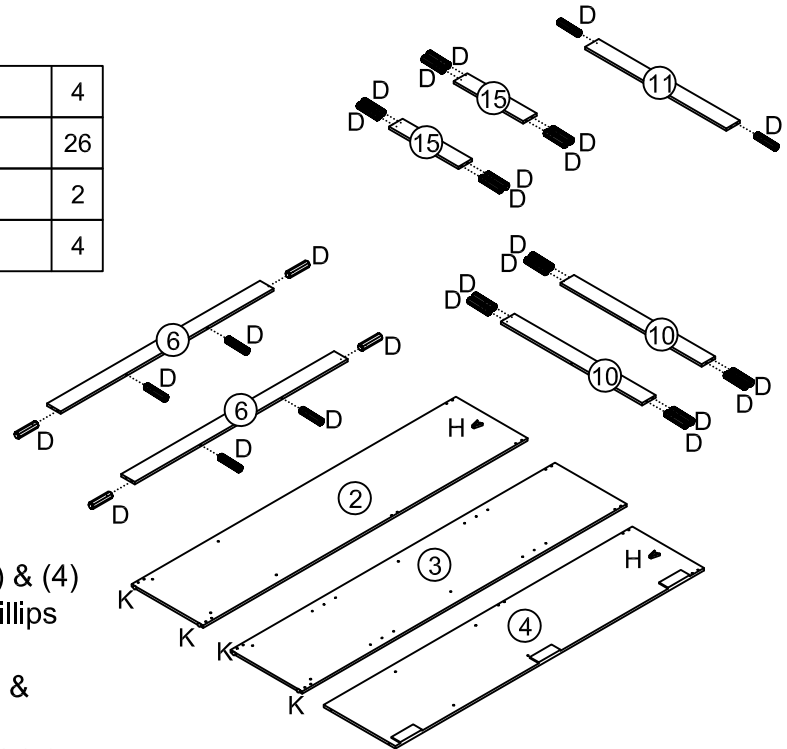
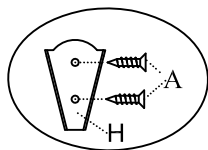
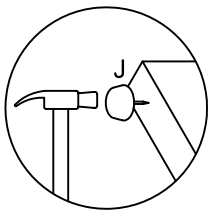
Hodedah

www.hodedah.com

support@hodedah.com



Step 1

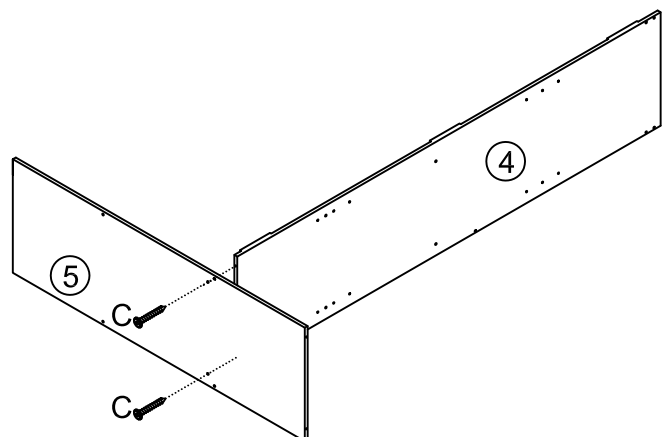
A	 CSK SCREW M3.5 x 12 mm	4
D	 WOOD DOWEL M6 x 25 mm	26
H	 V - BRACKET	2
J	 PVC NAIL 5/8"	4



- Attach V - Bracket (H) to panels (2) & (4) with 4 x CSK Screw (A) using a Phillips head screwdriver.
- Fix 4 x Pvc Nails (J) into panels (2) & (3) using a Hammer.
- Insert 26 x Dowels (D) into panels (6) & (10) & (11) & (15) using a Hammer.



Step 2

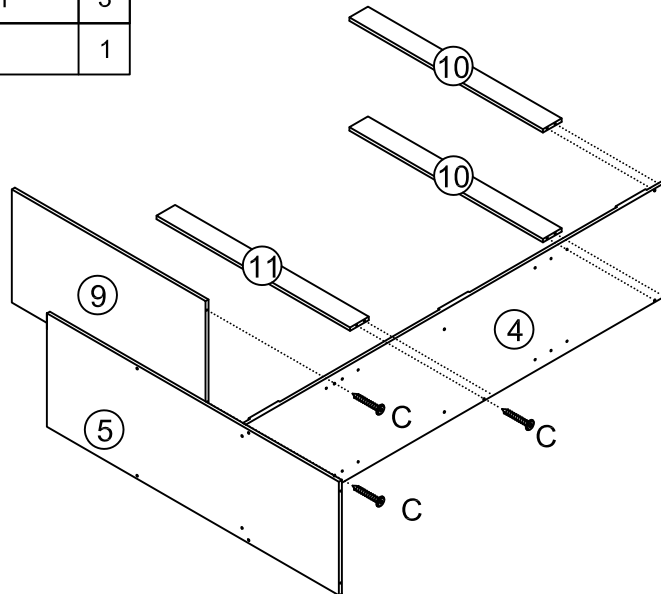
C	 JCBCW SCREW M5 x 40 mm	2
L	 ALLEN KEY	1



- Attach panel (5) to panel (4).
- Insert 2 x JCBCW Screw (C) to panel (5) and tighten with a Allen Key (L).

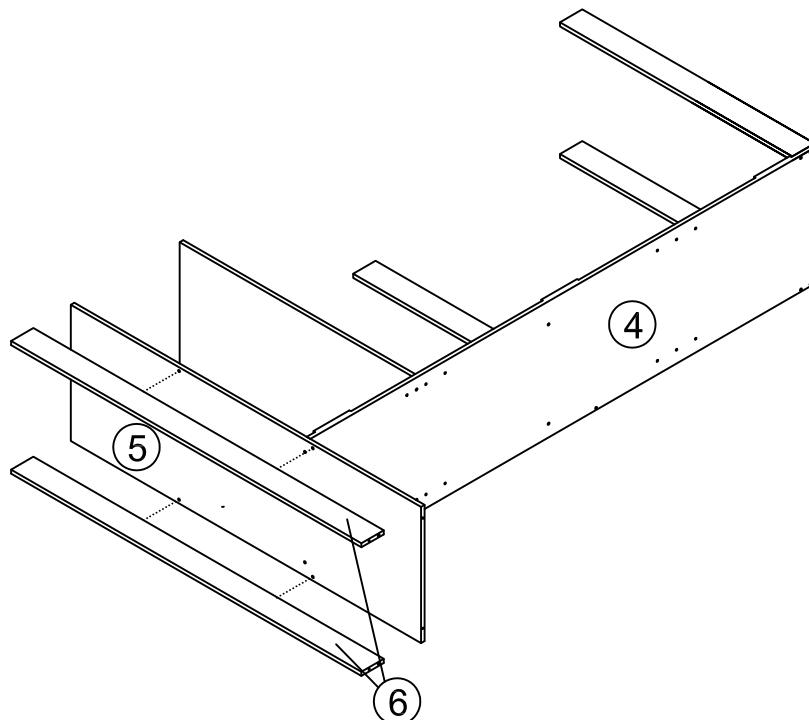
Step 3

C	 JCBCW SCREW M5 x 40 mm	3
L	 ALLEN KEY	1





- Attach panel (9) & (10) & (11) to panels (4).
- Insert 3 x JCBCW Screw (C) to panel (4) and tighten with a Allen Key (L).

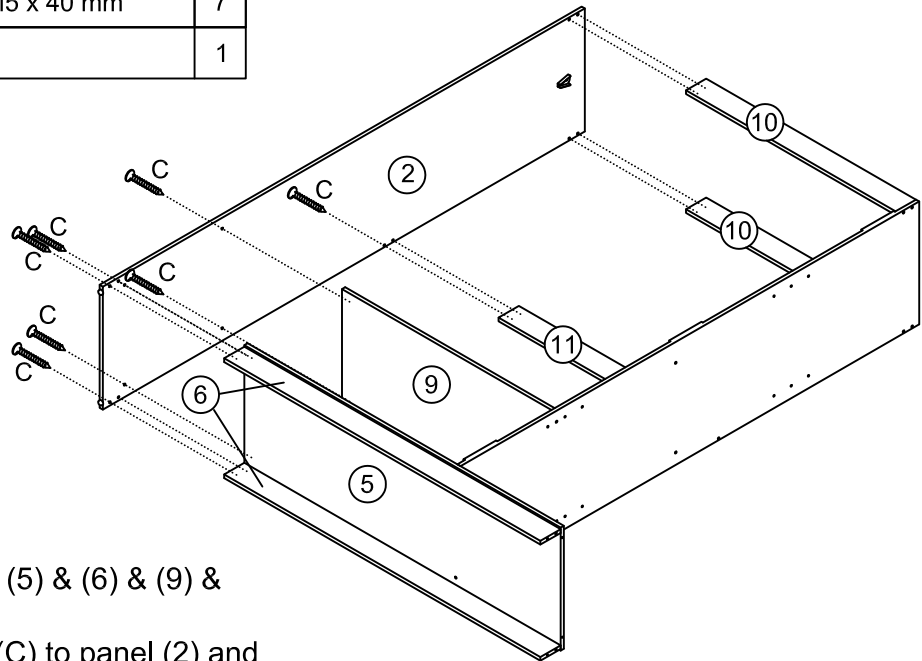
Step 4



- Attach panels (6) to panel (5), aligning dowels.



Step 5

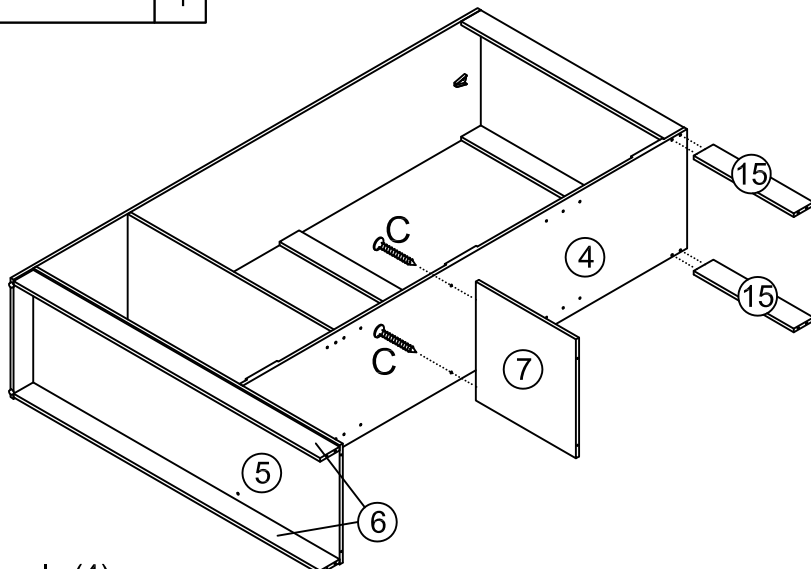
C	 JCBCW SCREW M5 x 40 mm	7
L	 ALLEN KEY	1



- Attach panel (2) to panels (5) & (6) & (9) & (10) & (11).
- Insert 7 x JCBCW Screw (C) to panel (2) and tighten with a Allen Key (L).

Step 6

C	 JCBCW SCREW M5 x 40 mm	2
L	 ALLEN KEY	1





- Attach panels (7) & (15) to panels (4).
- Insert 2 x JCBCW Screw (C) to panel (4) and tighten with a Allen Key (L).

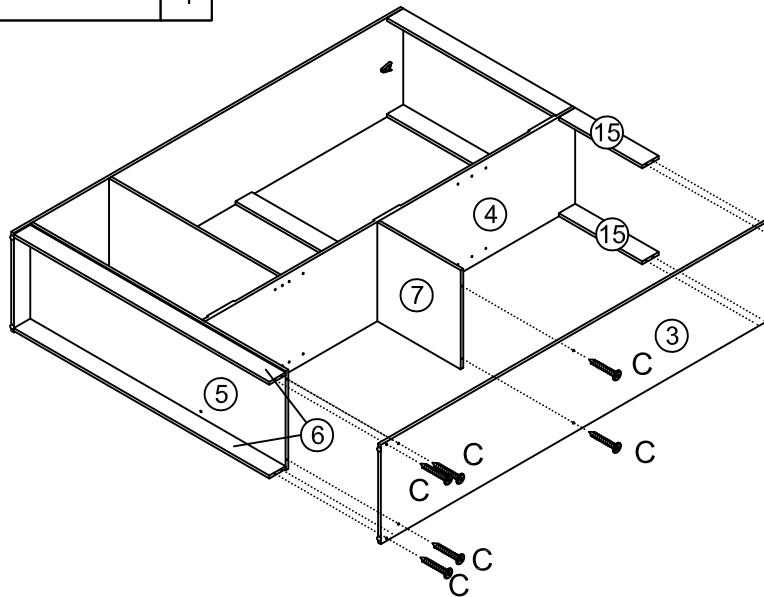


Hodedah

www.hodedah.com
support@hodedah.com



Step 7

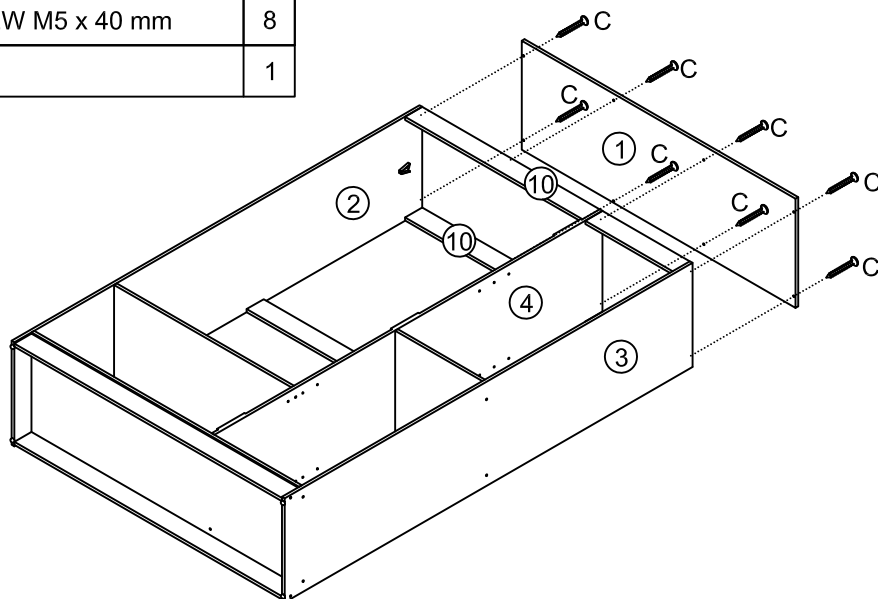
C	 JCBCW SCREW M5 x 40 mm	6
L	 ALLEN KEY	1



- Attach panel (3) to panels (5) & (6) & (7) & (15).
- Insert 6 x JCBCW Screw (C) to panel (3) and tighten with a Allen Key (L).


Step 8

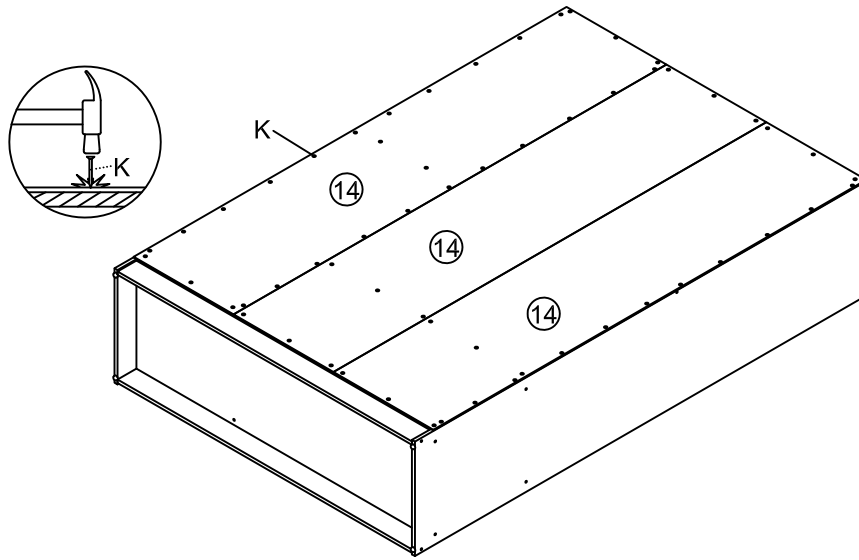
C	 JCBCW SCREW M5 x 40 mm	8
L	 ALLEN KEY	1



- Attach panel (1) to panels (2) & (3) & (4) & (10).
- Insert 8 x JCBCW Screw (C) to panel (1) and tighten with a Allen Key (L).

Step 9

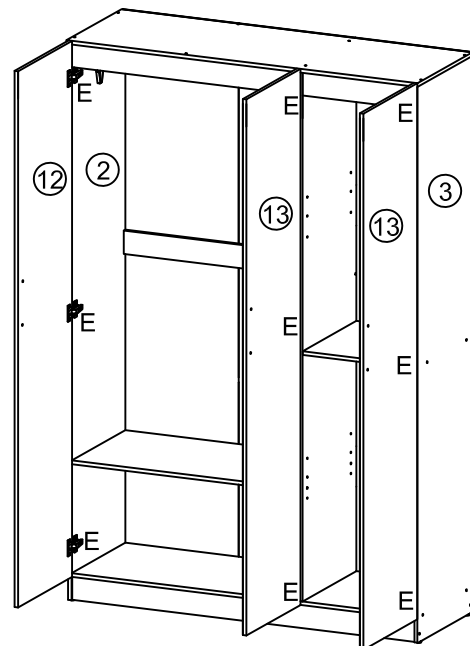
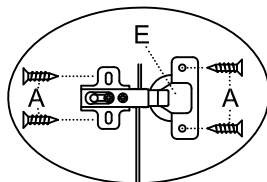
K	 NAIL	64
---	--	----



- Fix 64 x Nails (K) into panel (14) using a Hammer.



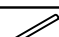
Step 10

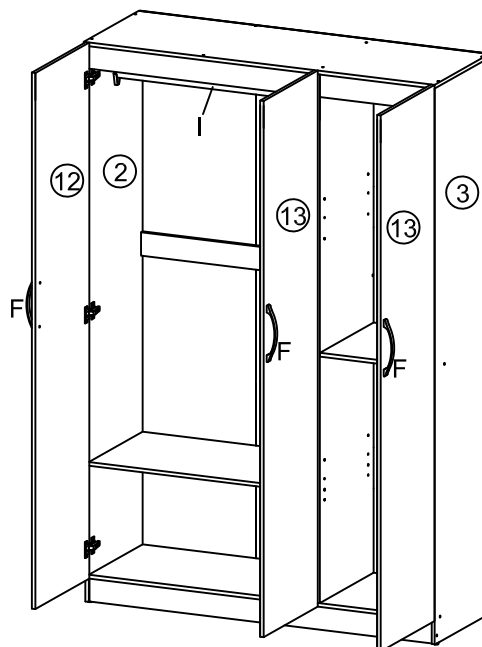
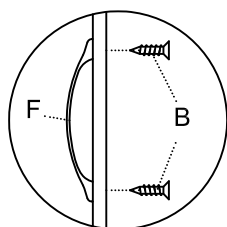
A	 CSK SCREW M3.5 x 12 mm	36
E	 HINGES MINI	9



- Attach panels (12) & (13) to panels (2) & (3) & (4).
- Attach Hinges Mini (E) to panels (2) & (3) & (4) & (12) & (13).
with 36 x CSK Screw (A) using Phillips head screwdriver.

Step 11

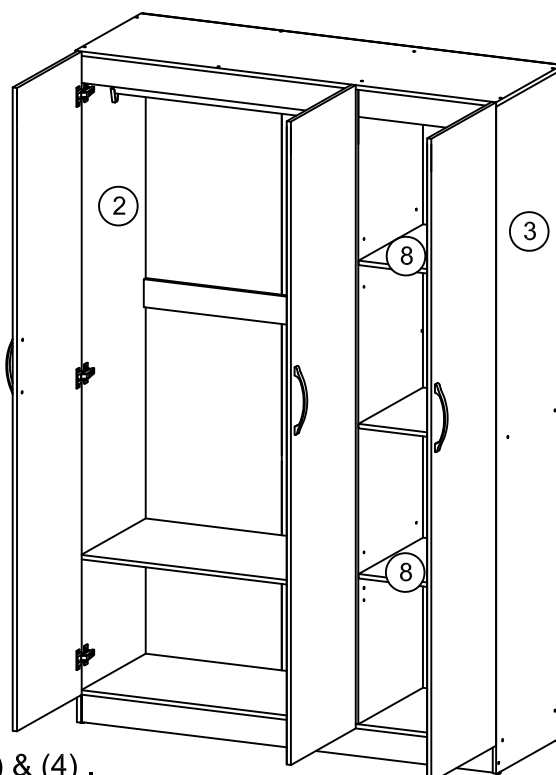
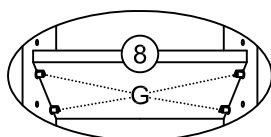
B		CSK SCREW M4 x 25 mm	6
F		HANDLE 160 PVC	3
I		PIPE 771 mm	1



- Attach Handle (F) to panels (12) & (13) with 6 x CSK Screw (B) using a Phillips head screwdriver.
- Place Pipe (I) into V - Bracket (H) .

Step 12

G		METAL SHELF SUPPORT	8
---	---	---------------------	---



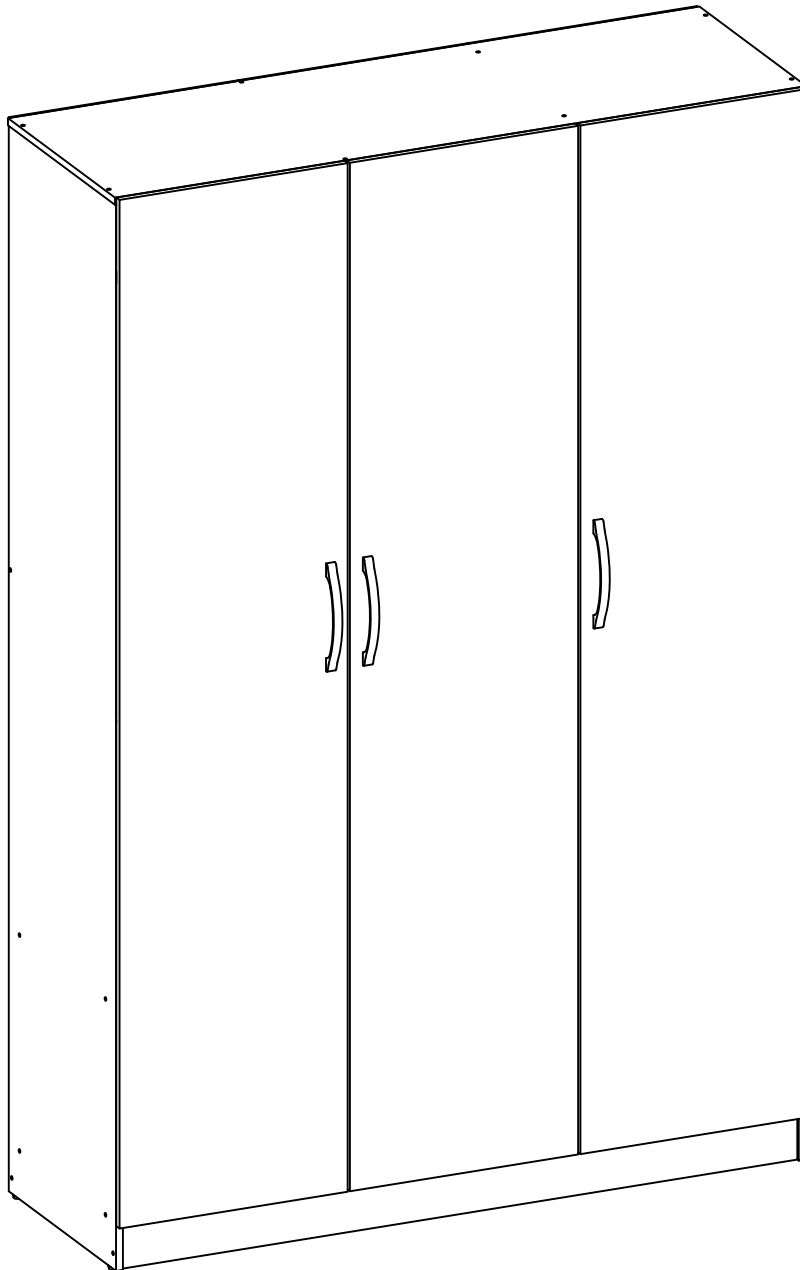
- Insert 8 x Metal Shelf Support (G) into panels (3) & (4) .
- Insert panel (8) into wardrobe .



Hodedah

www.hodedah.com

support@hodedah.com



Job Complete!

In the interest of our environment please dispose of all packaging thoughtfully.