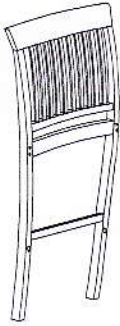

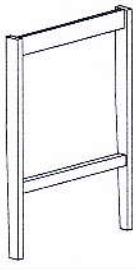

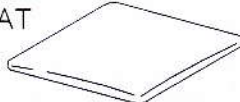
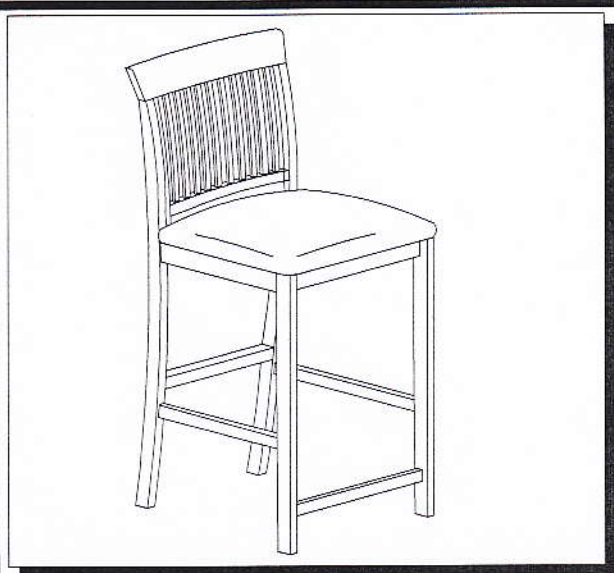



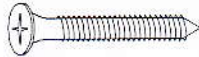

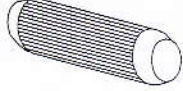


Hodedah
 www.hodedah.com
 support@hodedah.com

PARTS AND HARDWARE LIST

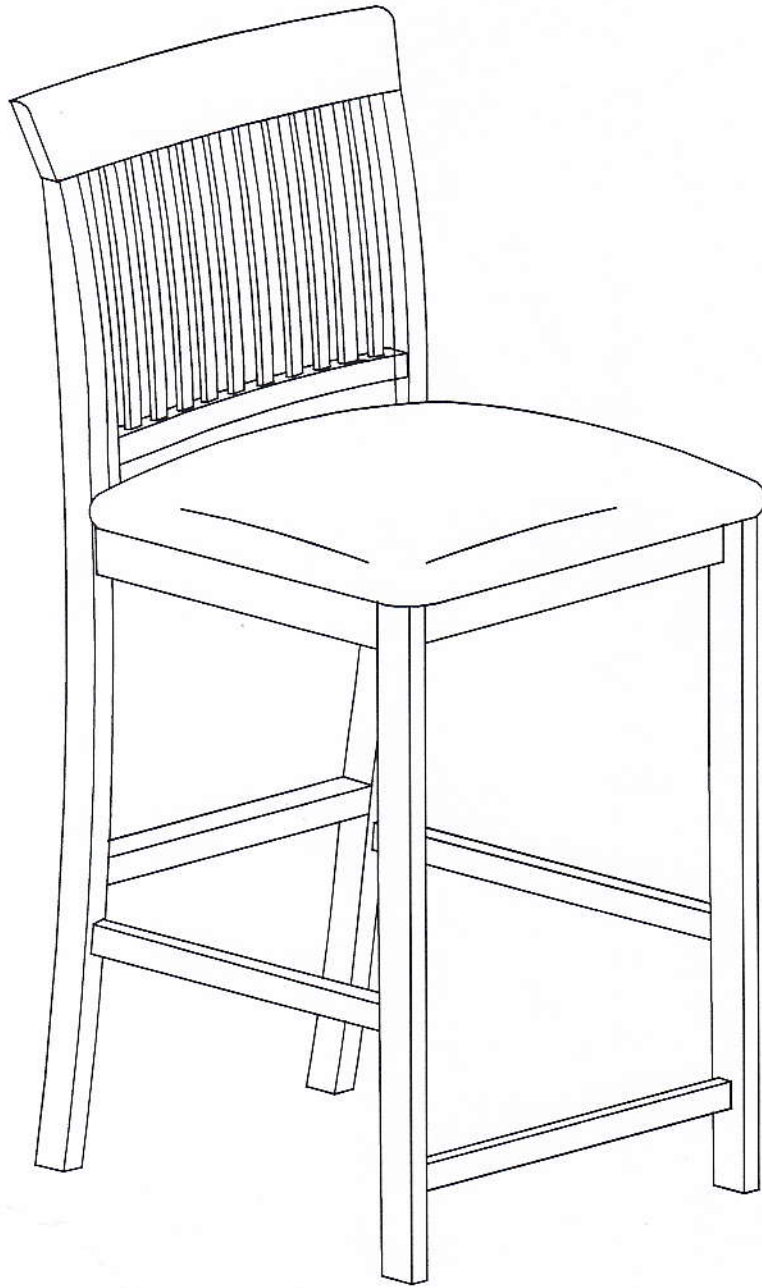
PART	DESCRIPTION (4 CHAIRS)	QTY
1	BACK REST 	4
2	SIDE PANEL 	8
3	FRONT LEG 	4
4	SIDE STRETCHER 	8
5	CUSHION SEAT 	4



PART	DESCRIPTION (4 CHAIRS)	QTY
A	M6 x 50MM JCBC SCREW 	24
B	SPRING WASHER 	24
C	CSK SCREW 	28
D	ALLEN KEY 	1
E	WOOD DOWEL 	16



Hodedah
www.hodedah.com
support@hodedah.com



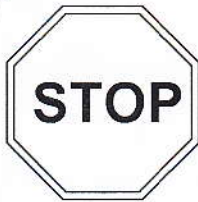
HV 2803 CHAIR
W16.9" X D16.5" X H40.35"



Hodedah

www.hodedah.com
support@hodedah.com

- This product contains small components, please ensure that they are kept away from small children.
- THIS INSTRUCTION BOOKLET CONTAINS **IMPORTANT** SAFETY INFORMATION. PLEASE READ AND KEEP FOR FUTURE REFERENCE.



DO NOT RETURN PRODUCT TO THE STORE.

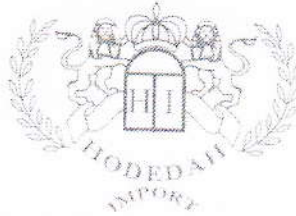
If a part is missing or damaged, email our customer service. We will gladly ship your replacement parts **FREE** of charge.

Need Parts or Assistance?

email us at

support@hodedah.com

For prompt, reliable service; please have your assembly manual ready.



Hodedah

www.hodedah.com
support@hodedah.com

Thank you for purchasing from Hodedah

**To learn more about hodedah and our products visit
www.hodedah.com**

READ BEFORE BEGINNING ASSEMBLY

- Read each step carefully. It is very important that each step of instruction is performed in the correct order. If these steps are not followed in sequence, assembly difficulties will occur.
- Make sure all parts are included. Most parts are labeled or stamped on the raw edge.
- Work in spacious area, preferably on a carpet, near the place the unit will be used.
- Do not use power tools to assemble your furniture. Power tools may strip or damage the parts.

HELPFUL HINTS

- Call us if you need assistance.
- Move your new furniture carefully, with two people lift and carry the unit to it's new location.
- Never push, drag or pull your furniture (especially on carpet).

Warranty Information

Hodedah warrants this product to be free from defects in material and workmanship agrees to remedy any such defect. This warranty covers one year from the date of original purchase. This is solely limited to be repair or replacement of defective parts and no assembly labor is included.

This warranty does not apply to any product which has been improperly assembled, subjected to misuse or abuse or which has been altered or repaired in any way.

To obtain warranty service, purchaser must present original bill of sale. Components repaired or replaced warranted through the remainder of the original warranty period only. The defective components will be repaired or replaced without charge, subject to the terms and conditions described above.

For help with assembly, identifying parts, product information or to order parts, please contact us:

Call us at:
718 - 456 - 0505
Monday - Friday
9:00 am - 5:00 pm

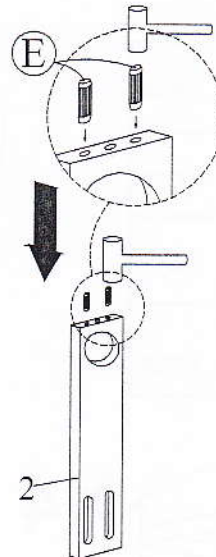
Visit our website:
www.hodedah.com



STEP 1



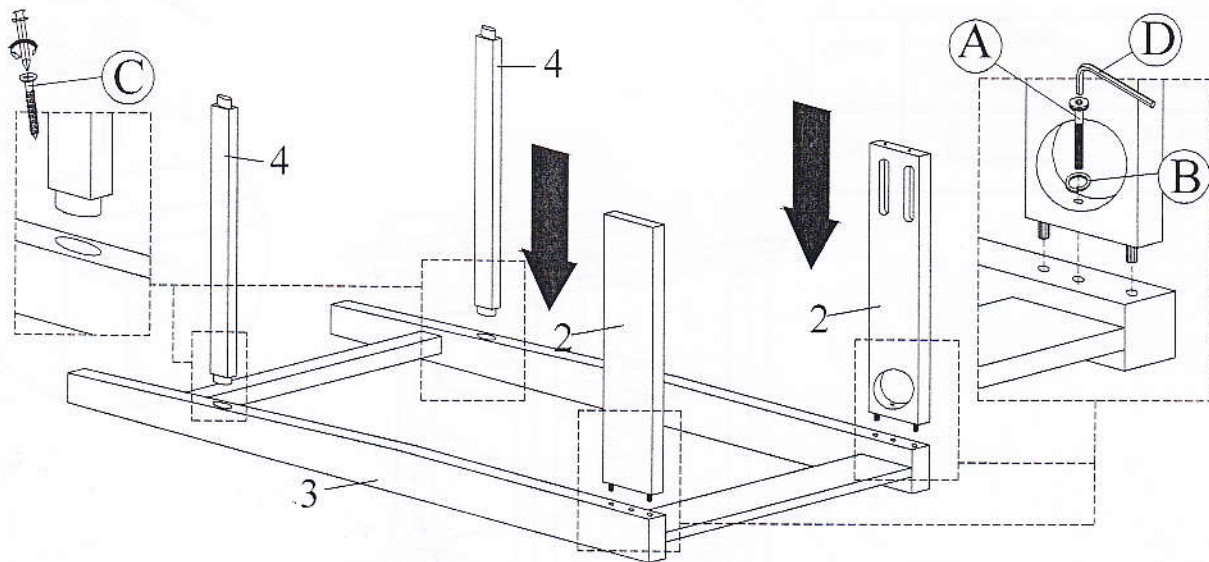
- Insert Wood Dowel (D) to Side Panel (2)

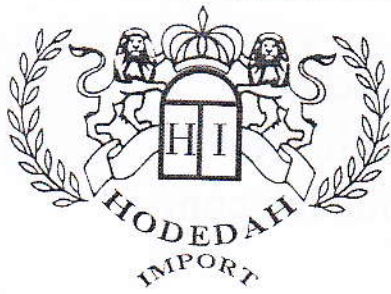


STEP 2





A		2 PCS
B		2 PCS
C		2 PC
D		1 PC

- Attached Side Panel (2) to Front Leg (3)
 - Put Spring Washer (B) into Screw (A) and insert to Side Panel (2), tighten with Allen Key (D)
 - Fix the Stretcher (4) to Front Leg (3) and tighten with Phillips Head Screwdriver.

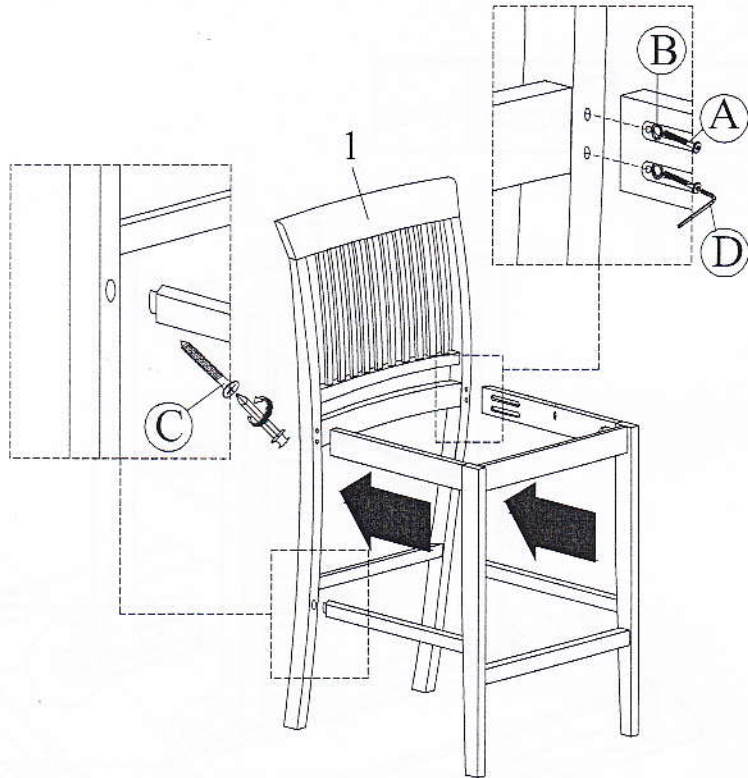





STEP 3

A	 M6 X50 JCBC SCREW	4 PCS
B	 SPRING WASHER	4 PCS
C	 CSK SCREW	2 PCS
D	 M4 ALLEN KEY	1 PC

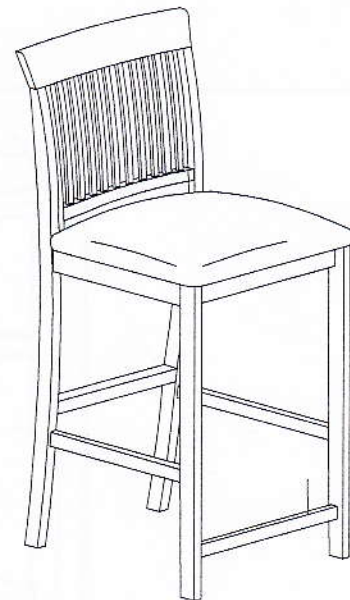
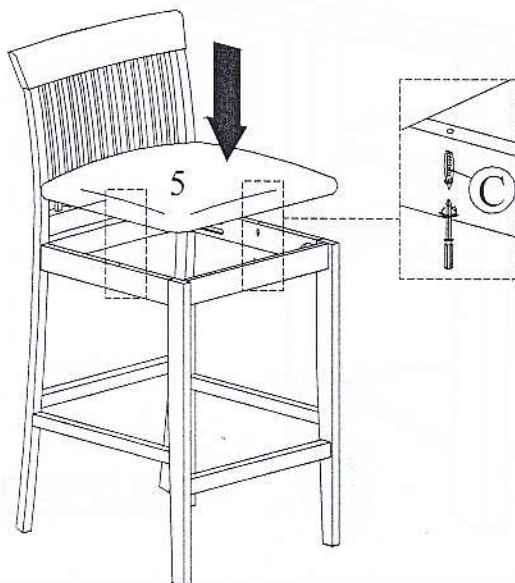
- Attached the complete part of step 2 correctly to Back Rest (1)
- Put Spring Washer (B) into Screw (A) and insert to Side Panel (2), tighten with Allen Key (D)
- Tighten the Stretcher (4) to Back rest (1) with Phillips Head Screwdriver



STEP 4

C	 CSK SCREW	3 PCS
---	---	-------

- Put the Cushion Seat correctly.
- Insert CSK Srew (C) and tighten with Phillips Head Screwdriver



FULLY SETUP