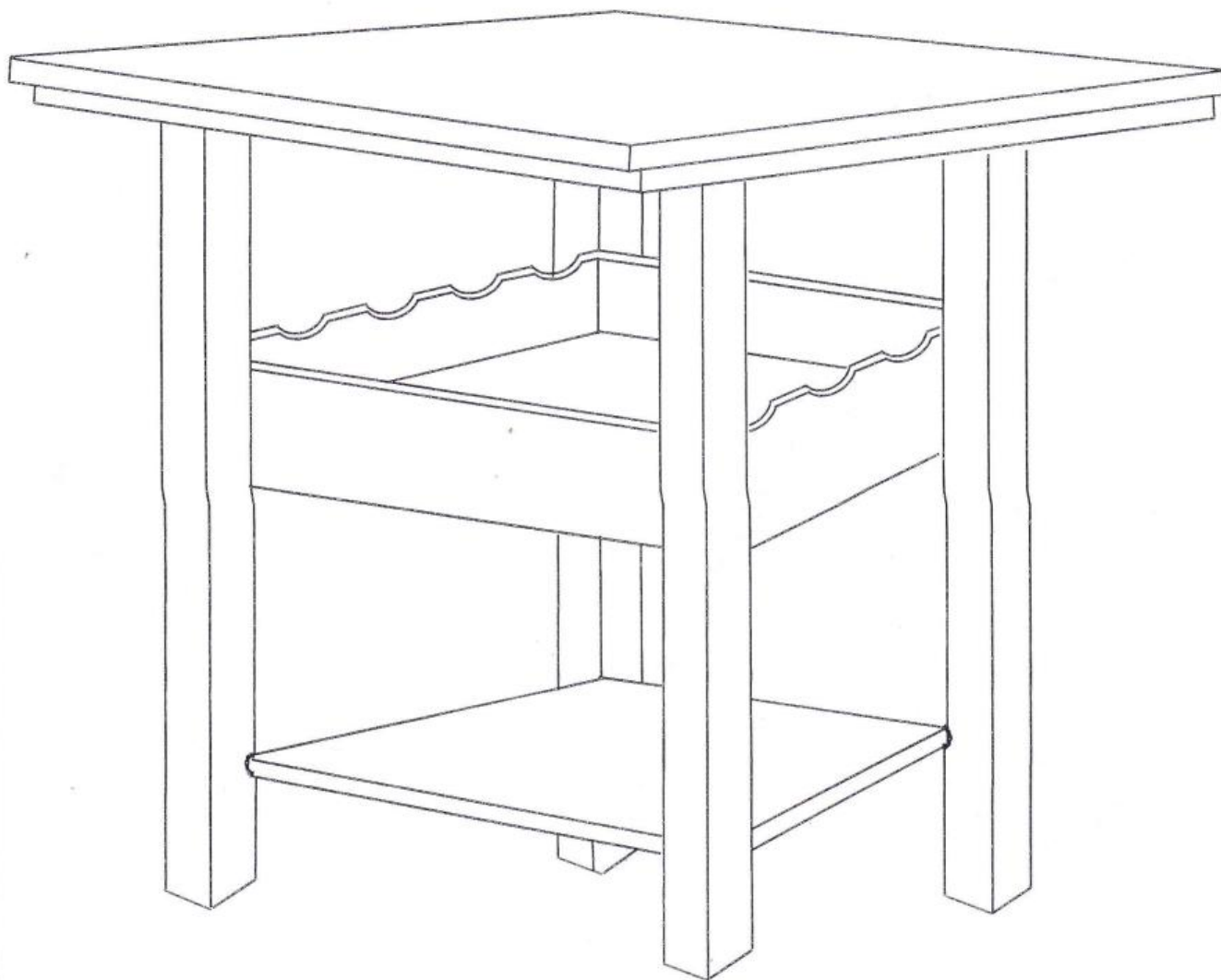




Hodedah

www.hodedah.com

support@hodedah.com



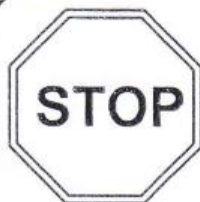
HV 2803 PUB TABLE
W 42" X D 42" X H36.90"



Hodedah

www.hodedah.com
support@hodedah.com

- This product contains small components, please ensure that they are kept away from small children.
- THIS INSTRUCTION BOOKLET CONTAINS **IMPORTANT** SAFETY INFORMATION. PLEASE READ AND KEEP FOR FUTURE REFERENCE.



DO NOT RETURN PRODUCT TO THE STORE.

If a part is missing or damaged, email our customer service. We will gladly ship your replacement parts **FREE** of charge.

Need Parts or Assistance?

email us at

support@hodedah.com

For prompt, reliable service; please have your assembly manual ready.



Hodedah

www.hodedah.com
support@hodedah.com

Thank you for purchasing from Hodedah

To learn more about hodedah and our products visit
www.hodedah.com

READ BEFORE BEGINNING ASSEMBLY

- Read each step carefully. It is very important that each step of instruction is performed in the correct order. If these steps are not followed in sequence, assembly difficulties will occur.
- Make sure all parts are included. Most parts are labeled or stamped on the raw edge.
- Work in spacious area, preferably on a carpet, near the place the unit will be used.
- Do not use power tools to assemble your furniture. Power tools may strip or damage the parts.

HELPFUL HINTS

- Call us if you need assistance.
- Move your new furniture carefully, with two people lift and carry the unit to it's new location.
- Never push, drag or pull your furniture (especially on carpet).

Warranty Information

Hodedah warrants this product to be free from defects in material and workmanship agrees to remedy any such defect. This warranty covers one year from the date of original purchase. This is solely limited to be repair or replacement of defective parts and no assembly labor is included.

This warranty does not apply to any product which has been improperly assembled, subjected to misuse or abuse or which has been altered or repaired in any way.

To obtain warranty service, purchaser must present original bill of sale. Components repaired or replaced warranted through the remainder of the original warranty period only. The defective components will be repaired or replaced without charge, subject to the terms and conditions described above.

For help with assembly, identifying parts, product information or to order parts, please contact us:

Call us at:
718 - 456 - 0505
Monday - Friday
9:00 am - 5:00 pm

Visit our website:
www.hodedah.com








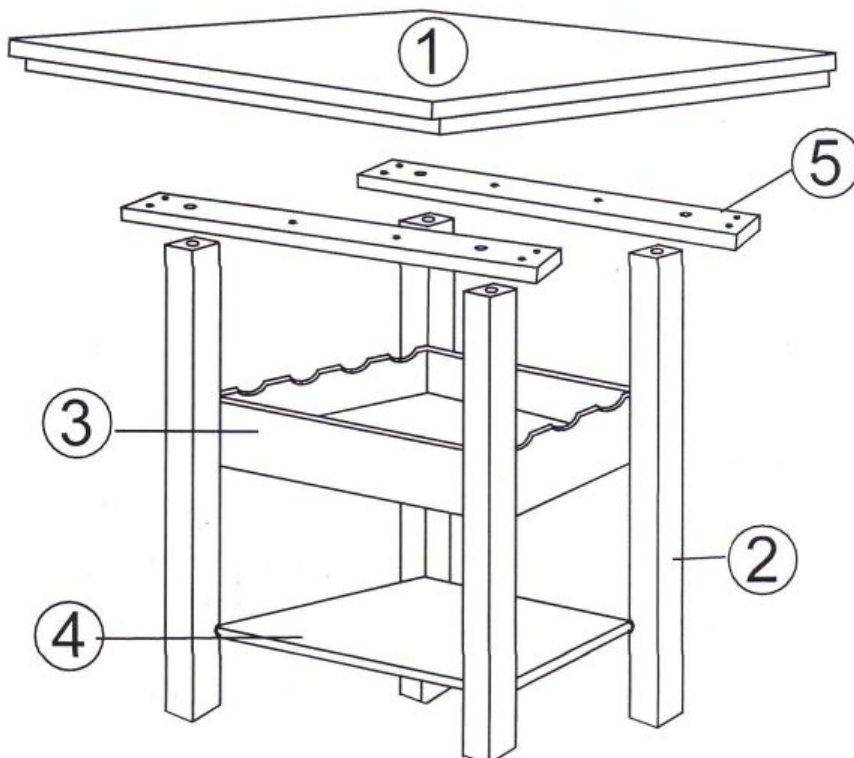
Hodedah

www.hodedah.com
support@hodedah.com

PART AND HARDWARE LIST

PART LIST		
NO	DESCRIPTION	QTY
1	TABLE TOP	1 PC
2	TABLE LEG	4 PCS
3	WINE RACK	1 PC
4	RACK	1 PCS
5	TABLE SUPPORT	2 PC

HARDWARE LIST		
NO	DESCRIPTION	QTY
A	 M6 X 60 JCBC SCREW	4 PCS
B	 FLAT WASHER	4 PCS
C	 M4 ALLEN KEY	1 PC
D	 M4 X 30MM C/B SCREW	16 PCS
E	 M6 X 40 JCBC SCREW	4 PCS









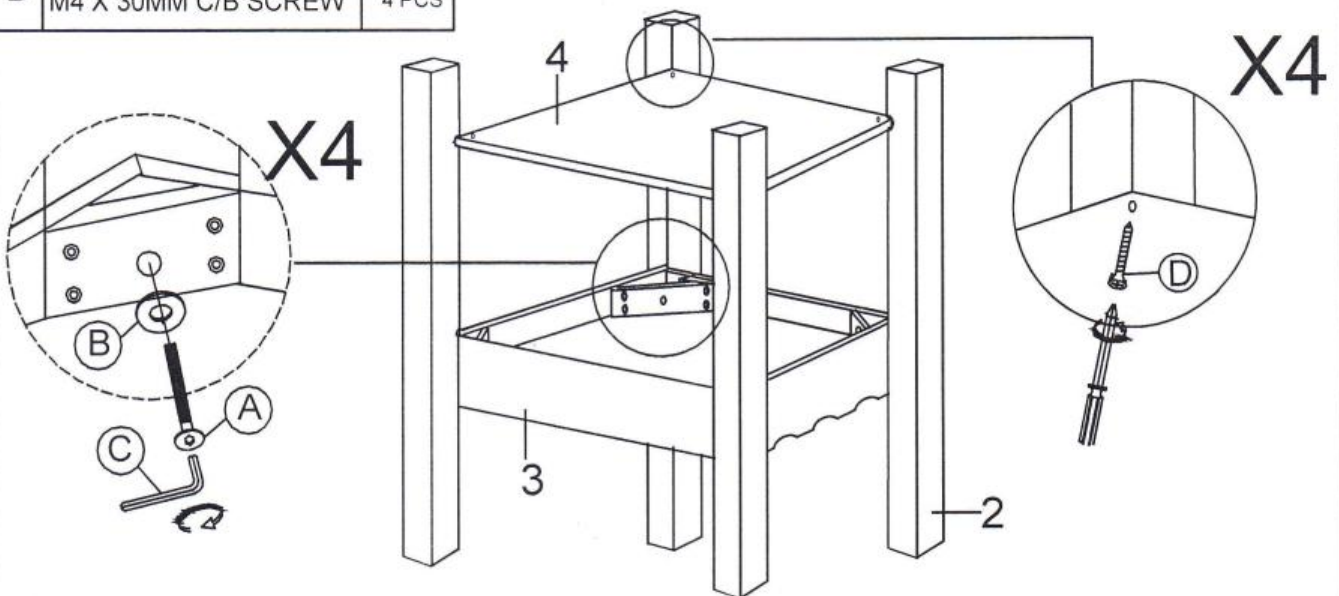
Hodedah

www.hodedah.com
support@hodedah.com


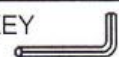
STEP 1

A	 M6 X60 JCBC SCREW	4 PCS
B	 FLAT WASHER	4 PCS
C	 M4 ALLEN KEY	1 PC
D	 M4 X 30MM C/B SCREW	4 PCS

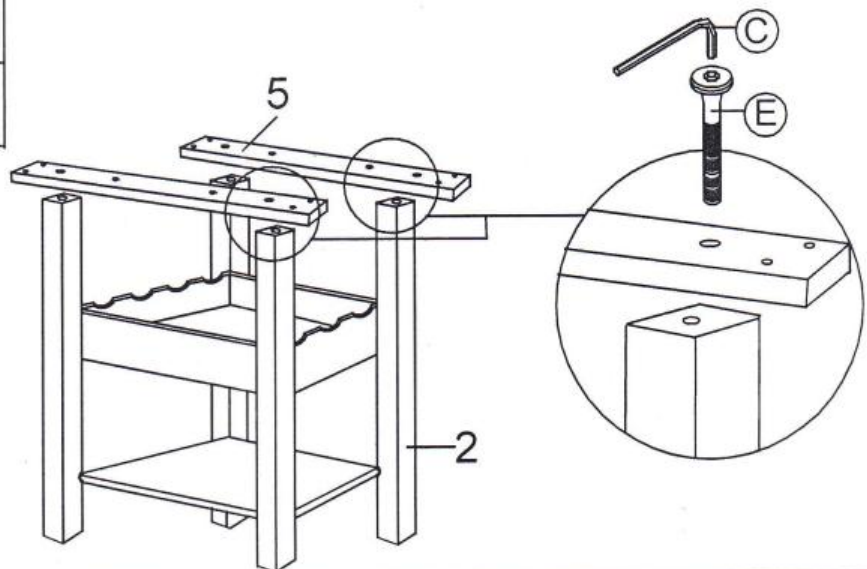
- Attached Wine Rack (3) to Table Leg (2)
- Put Flat Washer (B) into Screw (A) and insert to Wine Rack (3), tighten with Allen Key (C), Done the Same for 3 Table Legs
- Fix the Rack (4) correctly into the Table Leg (2)
- Put Flat Washer (B) into Screw (A) and insert to Wine Rack and tighten with Allen Key (C) for the 4th Table Leg (2)
- Insert 4 x C/B Screw (D) to Rack (4) and tighten with Phillips Head Screwdriver.



STEP 2

E	 M6 X40 JCBC SCREW	4 PCS
C	 M4 ALLEN KEY	1 PC


- Attached the Table Support (5) to Table Leg (2)
- Insert 4 X Screw (E) and tighten with Allen Key (C)



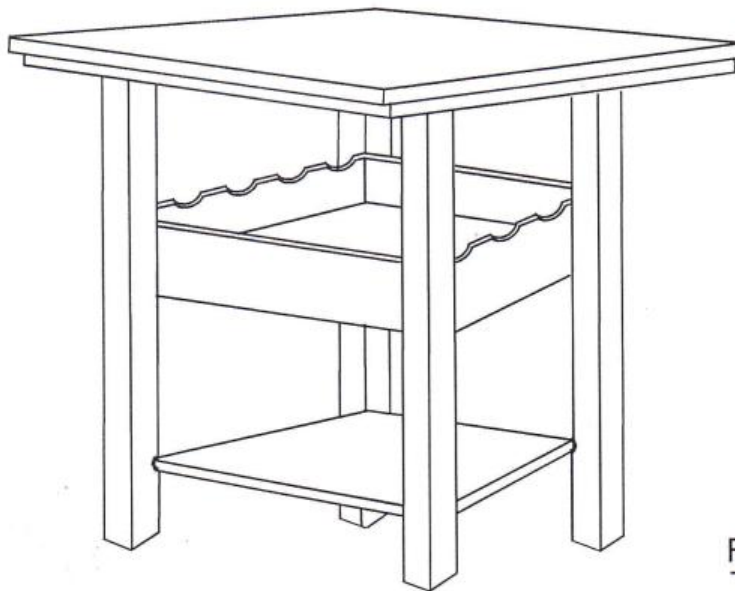
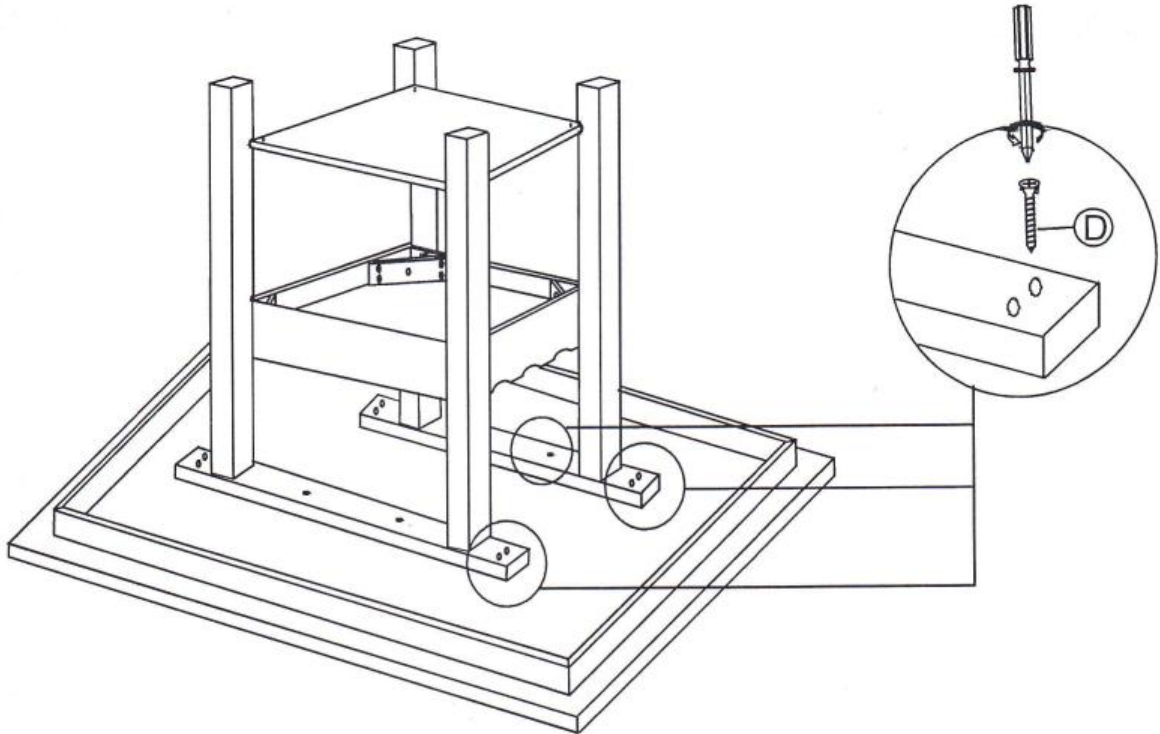


Hodedah
www.hodedah.com
support@hodedah.com

STEP 3

D	 M4 X 30MM C/B SCREW	12 PCS
----------	--	--------

- Once Step 2 has been complete, place the table leg on table top
- Insert 12 x C/B Screw (D) and tighten with Phillips Head Screwdriver.



FULLY SETUP

In the interest of our environment. Please dispose of all packaging thoughtful.