

METAL VENUS TWIN/TWIN BUNK BED

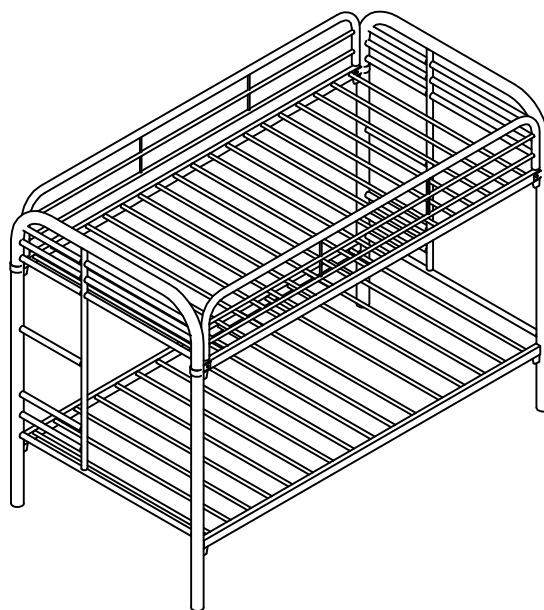
BF-003K / BLACK

BF-003W / WHITE

BF-003K / BF-003W

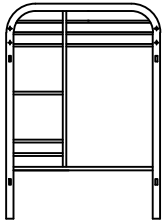
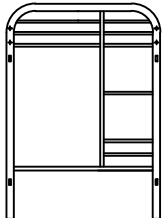
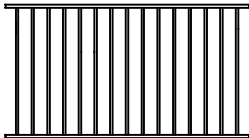
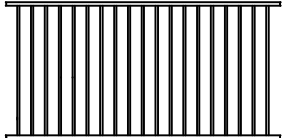


INSTRUCTIONS D' ASSEMBLAGE

ASSEMBLY INSTRUCTIONS

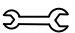


FOR ASSISTANCE OR TO ORDER PARTS
CONTACT OUR CUSTOMER SERVICE DEPARTMENT

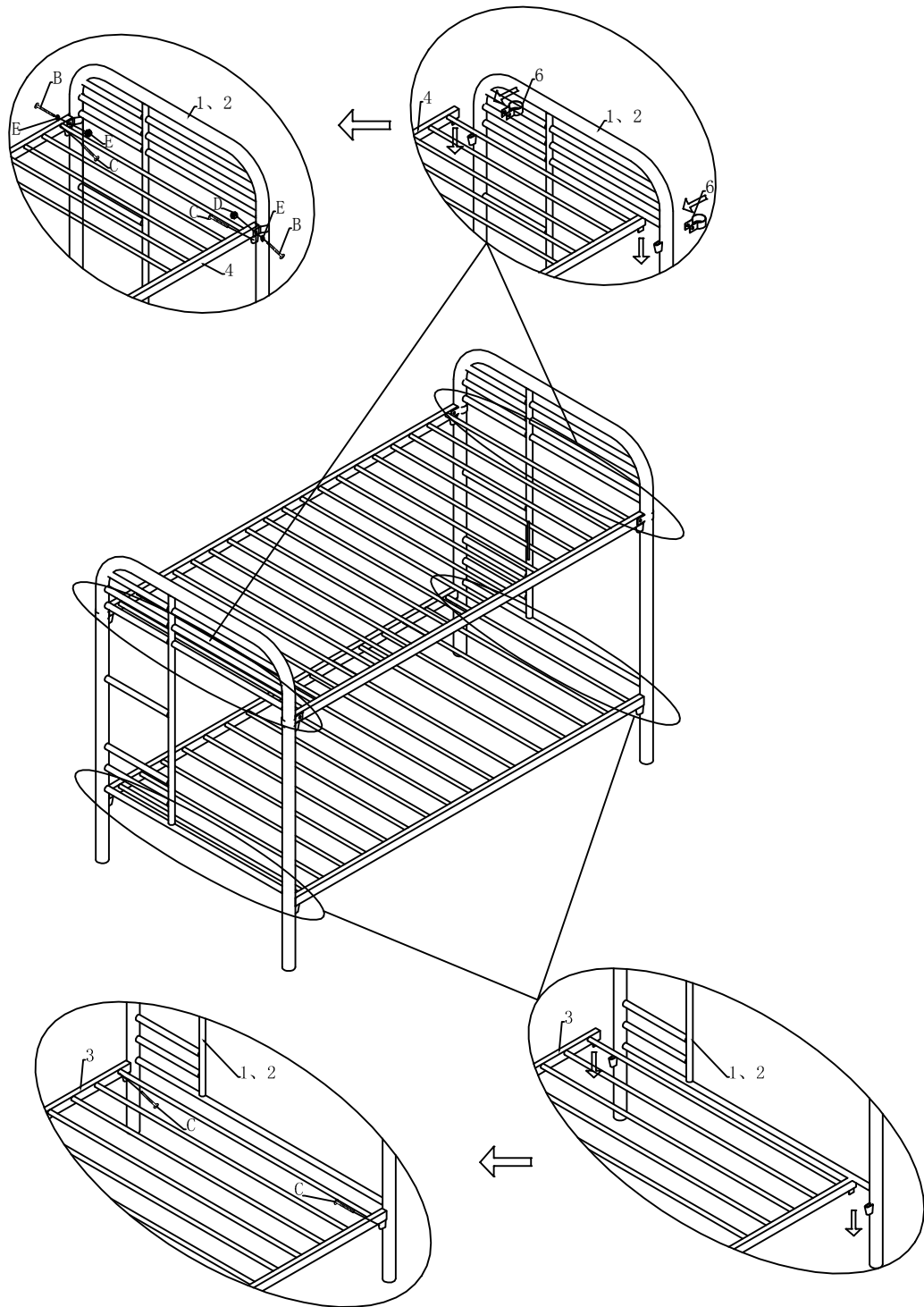
PARTS IDENTIFICATION

1		HEADBOARD (LEFT)	1PC
2		HEADBOARD (RIGHT)	1PC
3		METAL FRAME FOR LOWER	1PC
4		METAL FRAME FOR UPPER	1PC
5		GUARD RAIL	2PCS
6		METAL LOCK PLATE (UP)	4PCS

HARDWARE IDENTIFICATION

A		Ø5/16*89MM	8PCS
B		Ø5/16*38MM	4PCS
C		Ø1/4*12MM	8PCS
D		HEX NUT 5/16"	12PCS
E		FLAT WASHER	4PCS
F		SPECIAL WASHER	8PCS
G		ALLEN KEY (4MM)	1PC
H		ALLEN KEY (5MM)	1PC
I		SPANNER	1PC

STEP 1



SIZE OF MATTRESS AND FOUNDATION

- . This bed is designed to use a mattress
- . Twin-74"-75" X 37.5"-38.50", Full-74"-75" X 53"-54"
- . The total thickness must not exceed 6"
- . Note; There must be at least 5" from mattress sleeping surface to top edge of guardrail

SAFETY WARNINGS FOR BUNK BEDS

1. Follow the information on the warnings appearing on the upper bunk end structure and on the carton. Do not remove warning label from bed.
2. Always use the recommended size mattress or mattress support, or both, to help prevent the likelihood of entrapment or falls.
3. Surface of mattress must be at least 5 in, below the upper edge of guardrails.
4. Do not allow children under 6 years of age to use the upper bunk.
5. Prohibit more than one person on upper bunk.
6. Periodically check and ensure that the guardrail, ladder, and other components are in their proper position, free from damage, and that all connectors are tight.
7. Do not allow horse play on or under the bed and prohibit jumping on the bed.
8. Always use the ladder for entering and leaving the upper bunk.
9. Do not use substitute parts. Contact manufacturer or dealer for replacement parts.
10. Use of a night light may provide added safety precaution for a child using the upper bunk.
11. If the bunk bed will be placed next to a wall, the guardrail that runs the full length of the bed should be placed against the wall to prevent entrapment between the bed and the wall.
12. Always use guardrails on both long sides of the upper bunk.
13. The use of water or sleep flotation mattresses is prohibited.
14. Keep these instructions for future reference.