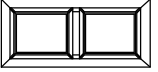
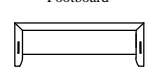
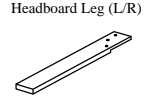


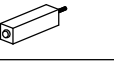

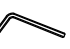

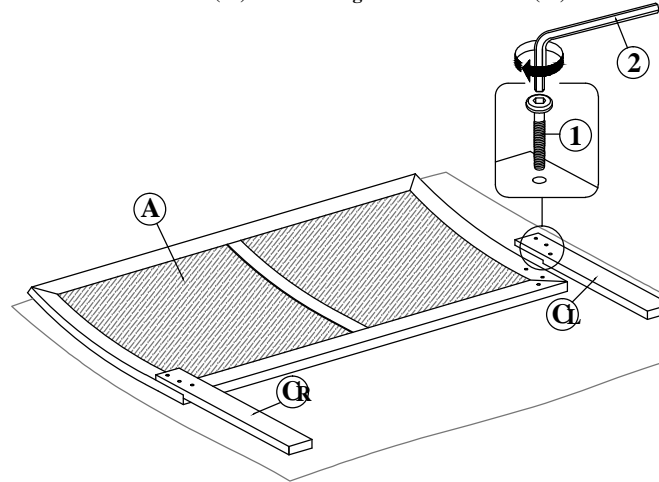




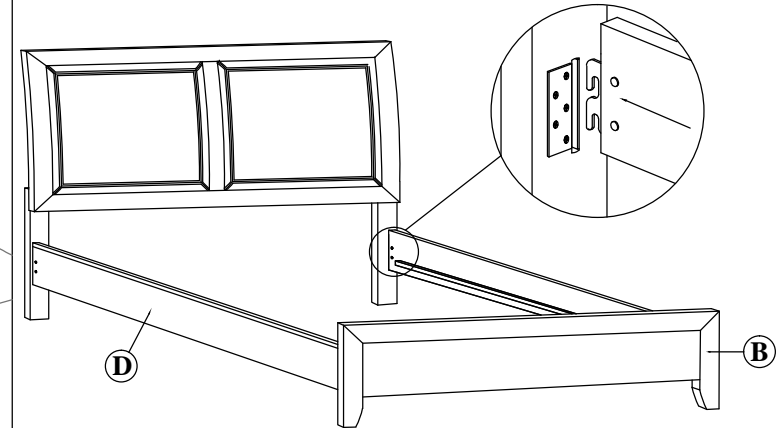
ASSEMBLY INSTRUCTIONS

STYLE # : 25511		
EMILY FULL BED		
(BOX 1)		
BOX OF HEADBOARD & FOOTBOARD		
NO	ITEM	QTY
A	Headboard 	1 PC
B	Footboard 	1 PC
C	Headboard Leg (L/R) 	2 PCS
(BOX 2)		
BOX OF SIDE RAIL		
NO	ITEM	QTY
D	Side Rail 	2 PCS
E	Bed Slat 	3 PCS
F	Bed Slat Support 	3 PCS
(BOX 3)		
HARDWARE LIST		
NO	ITEM	QTY
1	JCBC BOLT M6 x 35MM 	6 PCS
2	ALLEN WRENCH M4 	1 PC
(BOX 2)		
HARDWARE LIST		
NO	ITEM	QTY
3	FLAT HEAD CHIPBOARD SCREW m4 x 32mm RBW 	6 PCS

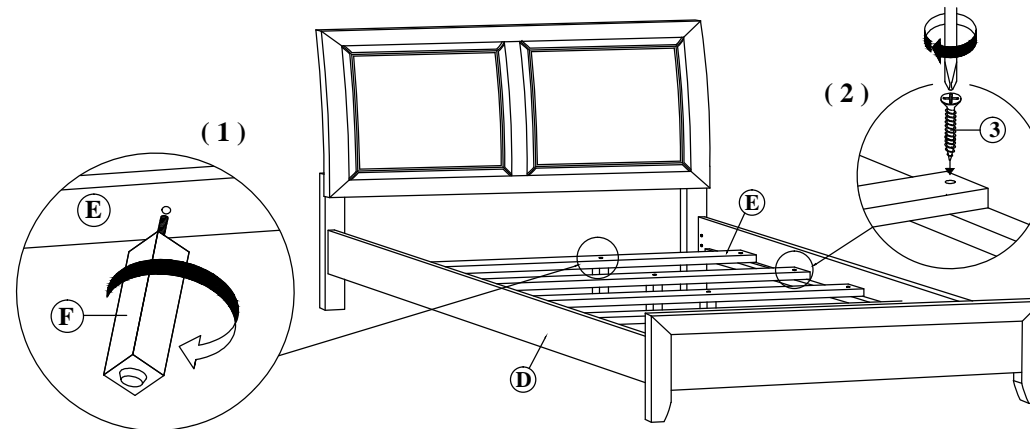
STEP 1 : Attach Head Board Leg (C) to Head Board (A) as shown using JCBC BOLT (1) and securing with ALLEN KEY (2).



STEP 2 : Hook SIDE RAIL (D) TO HEAD BOARD (A) closely and push down to fit. repeat step 2 with other end of rail to hook onto FOOTBOARD (B).



STEP 3 Fix the Bed Slats Support (F) to Bed Slats (E) as Shown and fix the Bed Slats to Side Rail (D) by using Flat Head Chipboard Screw (3). Loosen or Tighten the Adjuster as necessary to level the bed. Bed assembly should be done in final location to ensure stability.



Fix Slat (E) flush against Side Rail (D) using screw driver & CSK screw (3).

NOTE : MUST TIGHTEN SCREWS PERIODCALLY WITH USE SCREW WILL BECOME LOOSE CHECK TIGHTNESS OF ALL SCREW EVERY 6-8 WEEKS.



ASSEMBLY INSTRUCTIONS

**STYLE # : 25512
EMILY QUEEN BED**

(BOX 1)

BOX OF HEADBOARD & FOOTBOARD

NO	ITEM	QTY
A	Headboard	1 PC
B	Footboard	1 PC
C	Headboard Leg (L/R)	2 PCS

(BOX 2)

BOX OF SIDE RAIL

NO	ITEM	QTY
D	Side Rail	2 PCS
E	Bed Slat	3 PCS
F	Bed Slat Support	3 PCS

(BOX 1)

HARDWARE LIST

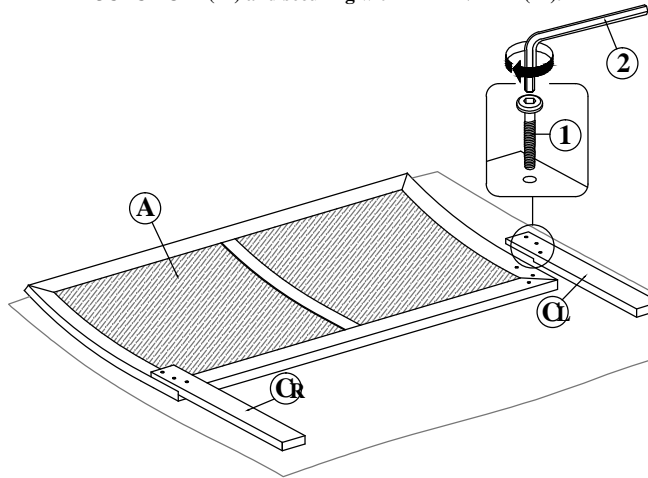
NO	ITEM	QTY
1	JCBC BOLT M6 x 35MM	6 PCS
2	ALLEN WRENCH M4	1 PC

(BOX 2)

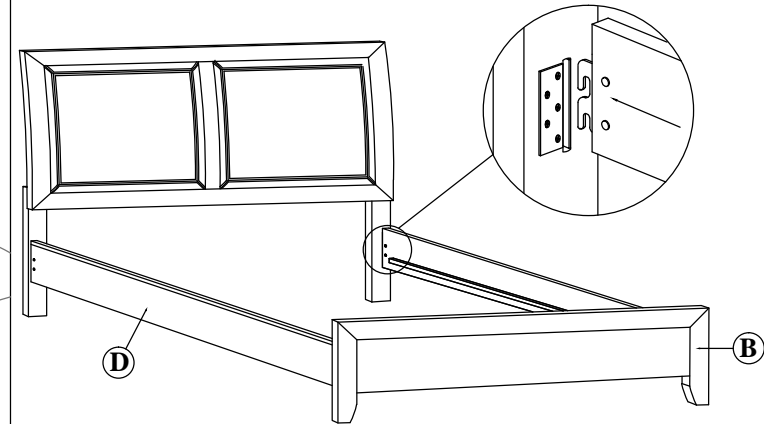
HARDWARE LIST

NO	ITEM	QTY
3	FLAT HEAD CHIPBOARD SCREW m4 x 32mm RBW	6 PCS

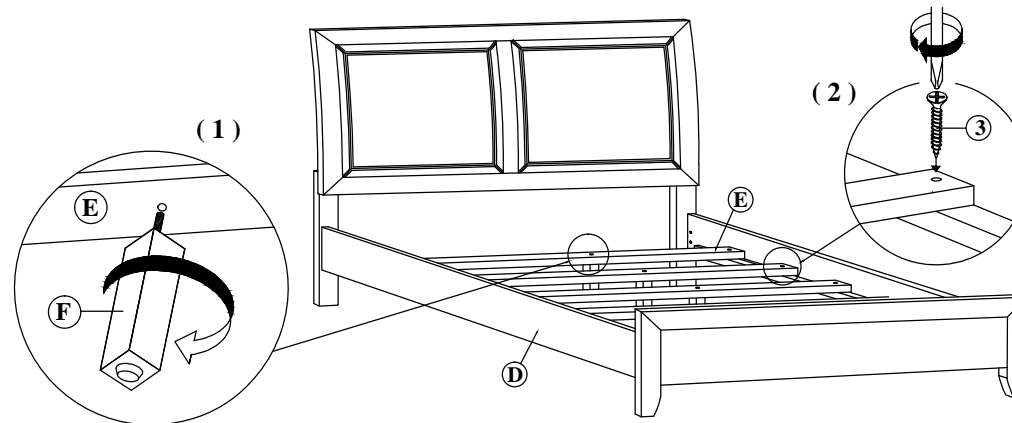
STEP 1 : Attach Head Board Leg (C) to Head Board (A) as shown using JCBC BOLT (1) and securing with ALLEN KEY (2).



STEP 2 : Hook SIDE RAIL (D) TO HEAD BOARD (A) closely and push down to fit. repeat step 2 with other end of rail to hook onto FOOTBOARD (B).



STEP 3 Fix the Bed Slats Support (F) to Bed Slats (E) as Shown and fix the Bed Slats to Side Rail (D) by using Flat Head Chipboard Screw (3). Loosen or Tighten the Adjuster as necessary to level the bed. Bed assembly should be done in final location to ensure stability.



Fix Slat (E) flush against Side Rail (D) using screw driver & CSK screw (3).

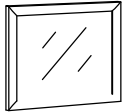
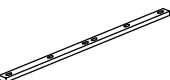
NOTE : MUST TIGHTEN SCREWS PERIODCALLY WITH USE SCREW WILL BECOME LOOSE CHECK TIGHTNESS OF ALL SCREW EVERY 6-8 WEEKS.




ASSEMBLY INSTRUCTIONS

STYLE # : 25504 & 25505
EMILY DRESSER & MIRROR

(BOX 1)
BOX OF MIRROR

NO	ITEM	QTY
A	MIRROR FRAME 	1 PC
B	MIRROR SUPPORT 	2 PCS

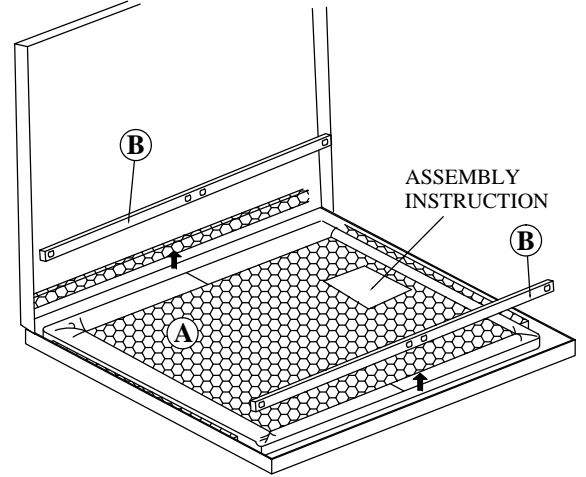
(BOX 2)
BOX OF DRESSER

NO	ITEM	QTY
C	DRESSER 	1 PC

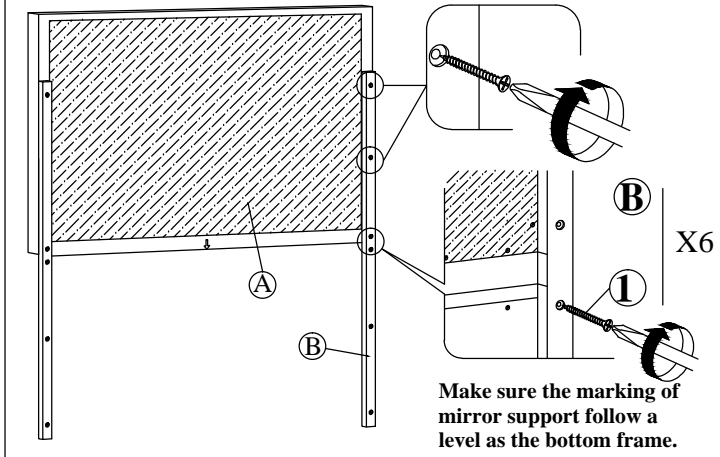
(BOX 1)
HARDWARE LIST

NO	ITEM	QTY
1	FLAT HEAD CHIPBOARD SCREW M4 x 32MM 	12 PCS

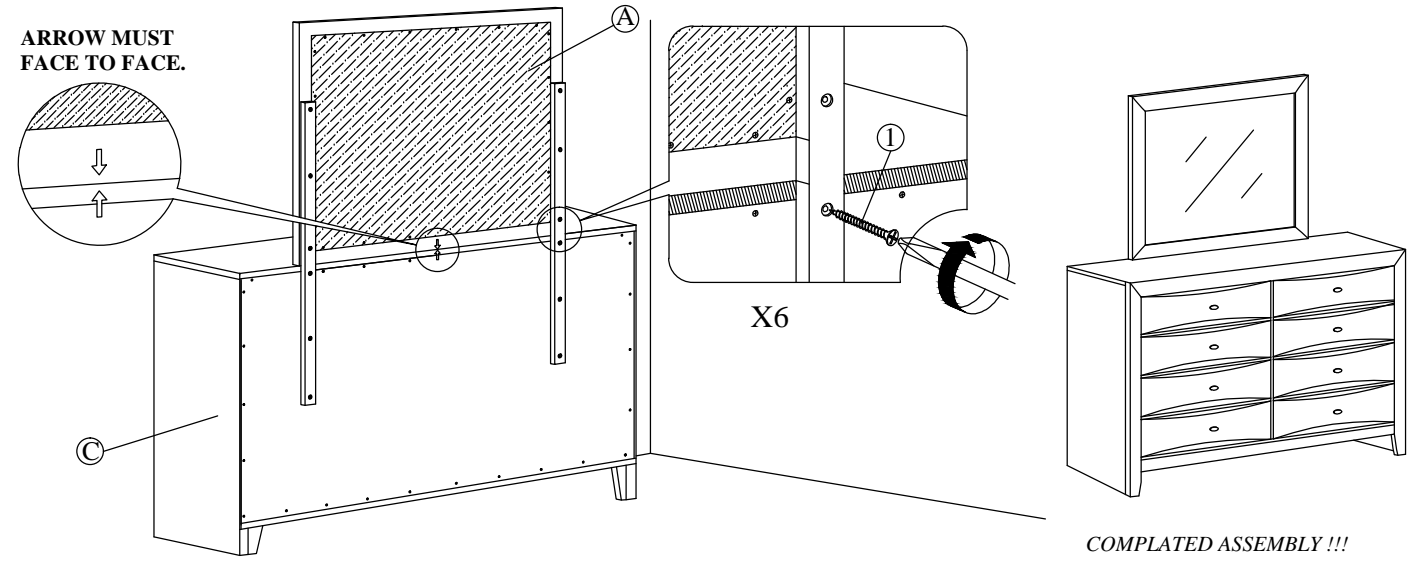
STEP 1 : Take out the Mirror support rails (B) from the carton box.



STEP 2 : Attach Mirror Support Rail (B) to Mirror (A) as shown and tighten with CSK Screw (1)



STEP 3 : Place the Mirror (A) on the top of Dresser (C) as shown. Aims at two arrows the align center and tighten with CSK Screw (1)



NOTE : MUST TIGHTEN SCREWS PERIODCALLY WITH USE SCREW WILL BECOME LOOSE CHECK TIGHTNESS OF ALL SCREW EVERY 6-8 WEEKS.