

# Assembly Instructions

## Chair

Your chair comes packaged in one box. Carefully remove all of the components from the packaging and set aside for assembly. Hardware and legs located inside seat.

### Package Contents

(A) 1 x Seat



(B) 1 x Back



(C) 4 x Legs



(D) 4 x Bolts



(E) 4 x Washers



(F) 4 x Lock Washers



(G) 1 x Hex Key

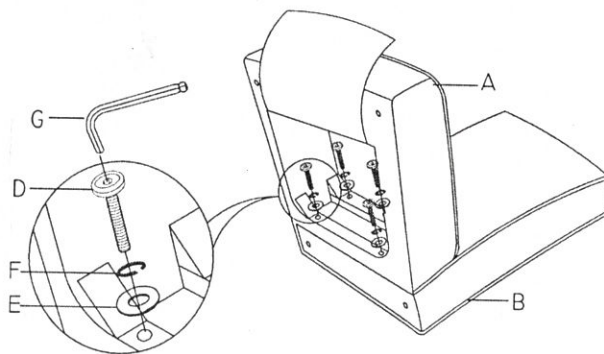


### CAUTION:

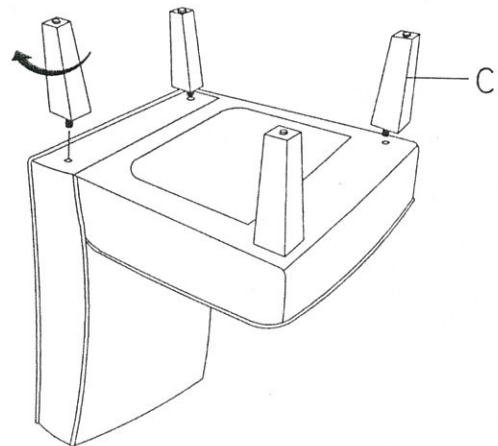
Tighten all components securely before use. Failure to do so may result in personal injury.

DO NOT use any sharp objects to open plastic wrapped components as damage to product or components may result.

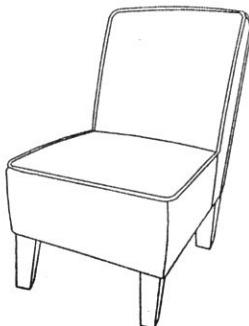
### Step 1



### Step 2



### Step 3



Care for your furniture. Periodically tighten all bolts using the included hex key. Vacuum cushions regularly. Do not return product to retail store.