

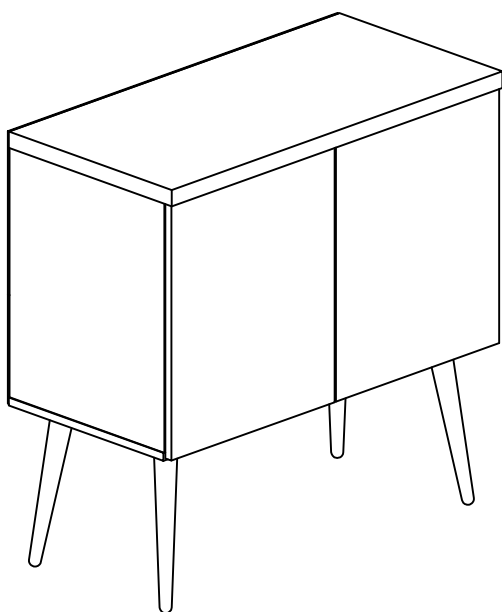
# HODEDAH®

## Assembly Instructions

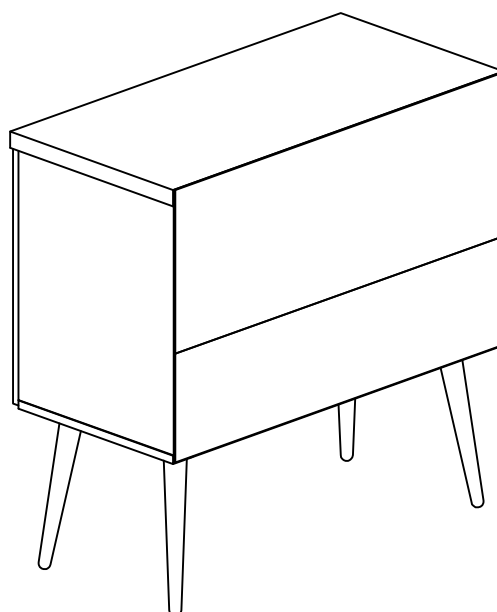
This instruction booklet contains important safety information, please read and keep for future reference.

### ITEM # HI 690-G (MOP)

### ENTRY WAY ACCENT TABLE



FRONT VIEW



BACK VIEW

**Product Dimensions: Height 28" x Width 32" x Depth 16"**

**Weight Capacity Per Shelf 25lbs**



## Phone

Mon - Fri | 9:30 am to 5pm EST

**1 - 855 - HODEDAH**

**1 - 855 - 463 -3324**



## Email

Send us an email

**Support@Hodedah.com**



## Website

Visit our website to open a case

**www.Hodedah.com**

## Questions, need parts, we are here to help!

FOR PROMPT, RELIABLE SERVICE PLEASE HAVE YOUR INSTRUCTION MANUAL READY



## DO NOT RETURN PRODUCT TO THE STORE

If parts are missing or damaged please contact our customer service team and we will gladly ship your replacement parts FREE of charge within **ONE YEAR** of purchase!

## WARRANTY

Hodedah warrants this product to be free from defects in materials and workmanship and agrees to remedy any such defect. This warranty covers one year from the date of original purchase. This is solely limited to replacement of defective parts and no assembly for labor is included. This warranty does not apply to any product that has been improperly assembled, subjected to misuse, abuse or which has been altered or repaired in any way. To obtain warranty service, original purchaser must present the following; original bill of sale, date of purchase, where the product was purchased and images if applicable. Components replaced warranted through the remainder of the original warranty only. The defective part will be replaced without charge, subject to the terms and conditions described above.

## WARNING

- This product contains small parts, keep away from children.
- This product contains plastic bags, keep away from children.
- Serious or fatal crushing injuries can occur from furniture tip-over. To help prevent this, place heaviest items on the lower shelves and drawers. Do not set heavy objects on top shelves and drawers.
- Never allow children to climb or hang on drawers, shelves and doors.
- Never open more than one drawer at a time.
- The use of tip-over restraints may reduce but not eliminate the risk of tip-over.

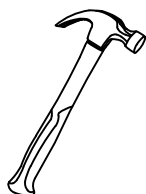
- Never open more than one drawer at a time.
- The use of tip-over restranits may reduce but not eliminate the risk of tip-over.

## Let's get started...

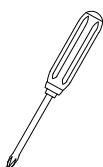
### Helpful hints, read before beginning assembly

- Make sure you receive all boxes. If your item is packed in one box, box count will read 1 of 1, likewise if your item is packed in two boxes, box count will read 1 of 2 and second box will read 2 of 2.
- Read each step carefully. It is very important that each step is performed in the correct order. If these steps are not followed in sequence, assembly difficulties will occur.
- Work in a spacious level area, preferably carpet, near the place the unit will be used.
- **DO NO USE** power tools to assemble your furniture, it will strip and damage parts.
- Your package should include the following hardware and parts. Parts are labeled or stamped on the raw edge. Please inspect contents to ensure you have received all components. **If you are missing any hardware or parts please contact customer service right away before assembly.**

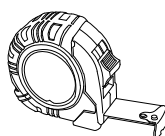
## Assembly Tools Required (not supplied)



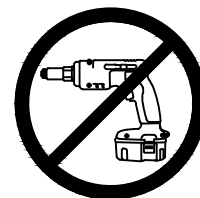
Hammer



Phillips Screwdriver



Tape Measure








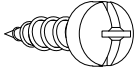


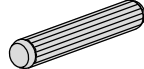
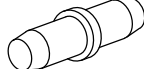
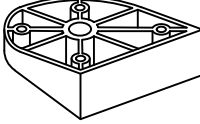

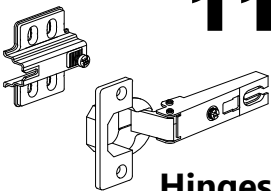
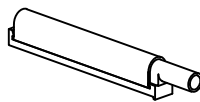
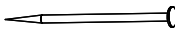

No Power Tools Needed

---

## Product Care and Maintenance

- Wipe clean with dry soft cloth, never use chemicals or cleaning products they will damage the finish.
- Avoid placing your furniture in direct sunlight, as sunlight causes fading.
- Never push, drag or pull your furniture, to move to a new location carefully with two or more people carry the unit to its new location.
- Avoid extreme changes in temperature by arranging furniture away from radiators, heat and air vents and air conditioning units.

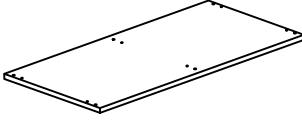
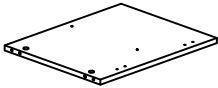
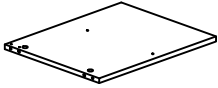
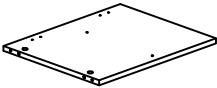
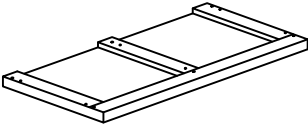
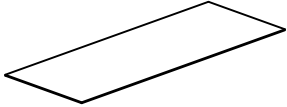
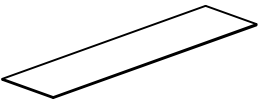
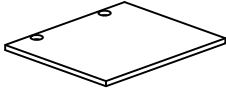
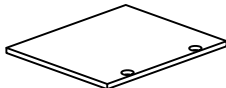
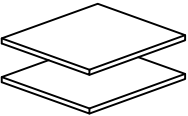
# Hardware List

<p><b>1</b></p>  <p>Screw M6 x 40mm</p>  <p>Pvc Cap</p>	<p><b>QTY</b></p> <input type="checkbox"/> 6 Pcs <input type="checkbox"/> 6 Pcs	<p><b>2</b></p>  <p>Screw M4 x 25mm *For # <b>9</b> Support Leg</p>	<p><b>QTY</b></p> <input type="checkbox"/> 16 Pcs	<p><b>3</b></p>  <p>Screw M3.1 x 12mm *For # <b>12</b> Door Buffer</p>	<p><b>QTY</b></p> <input type="checkbox"/> 4 Pcs
<p><b>4</b></p>  <p>Screw M3.5 x 14mm</p>	<p><b>QTY</b></p> <input type="checkbox"/> 16 Pcs	<p><b>5</b></p>  <p>Screw M 10 X 1/2 MM</p>	<p><b>QTY</b></p> <input type="checkbox"/> 8 Pcs	<p><b>6</b></p>   <p>Mini Fix Pvc Cap</p>	<p><b>QTY</b></p> <input type="checkbox"/> 6 Sets <input type="checkbox"/> 6 Pcs
<p><b>7</b></p>  <p>Pvc Dowel</p>	<p><b>QTY</b></p> <input type="checkbox"/> 12 Pcs	<p><b>8</b></p>  <p>Shelf Support</p>	<p><b>QTY</b></p> <input type="checkbox"/> 8 Pcs	<p><b>9</b></p>  <p>Support Leg</p>	<p><b>QTY</b></p> <input type="checkbox"/> 4 Pcs
<p><b>10</b></p>  <p>Ice Cream Leg (185mm)</p>	<p><b>QTY</b></p> <input type="checkbox"/> 4 Pcs	<p><b>11</b></p>  <p>Hinges</p>	<p><b>QTY</b></p> <input type="checkbox"/> 4 Sets	<p><b>12</b></p>  <p>Door Buffer</p>	<p><b>QTY</b></p> <input type="checkbox"/> 2 Pcs
<p><b>13</b></p>  <p>Nail</p>	<p><b>QTY</b></p> <input type="checkbox"/> 24 Pcs	<p><b>14</b></p>  <p>Allen Key</p>	<p><b>QTY</b></p> <input type="checkbox"/> 1 Pc	<p><b>15</b></p> <p>Anti-Tip Kit (separate from hardware pack)</p>	<p><b>QTY</b></p> <input type="checkbox"/> 1 PK

## Important

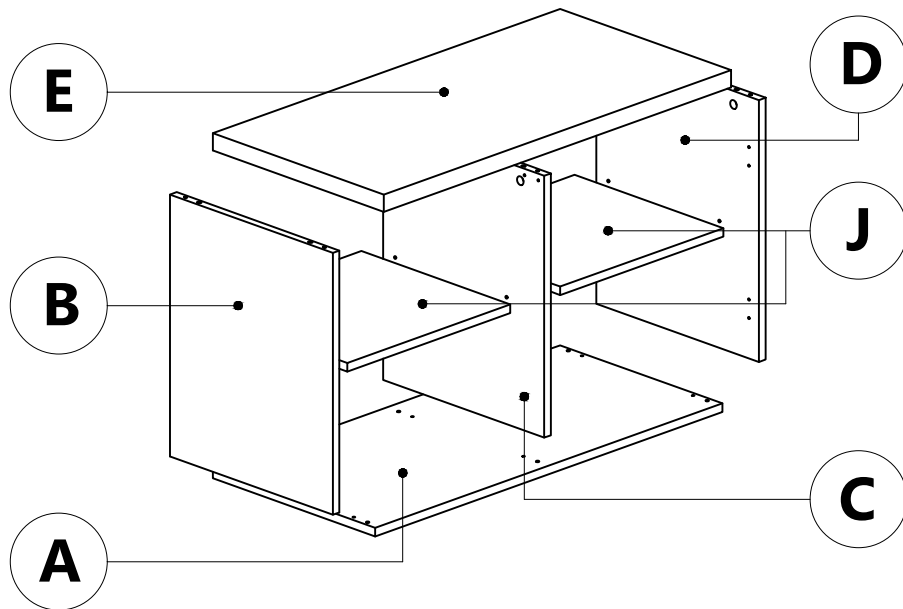
1. Before you throw the package, please use the Check Box to identify the parts and hardware to ensure that you have everything you need.
2. Check and measure the bolts before applying them to parts.
3. Do not completely tighten all hardware until the entire assembly is complete, unless indicated otherwise.

# Parts List

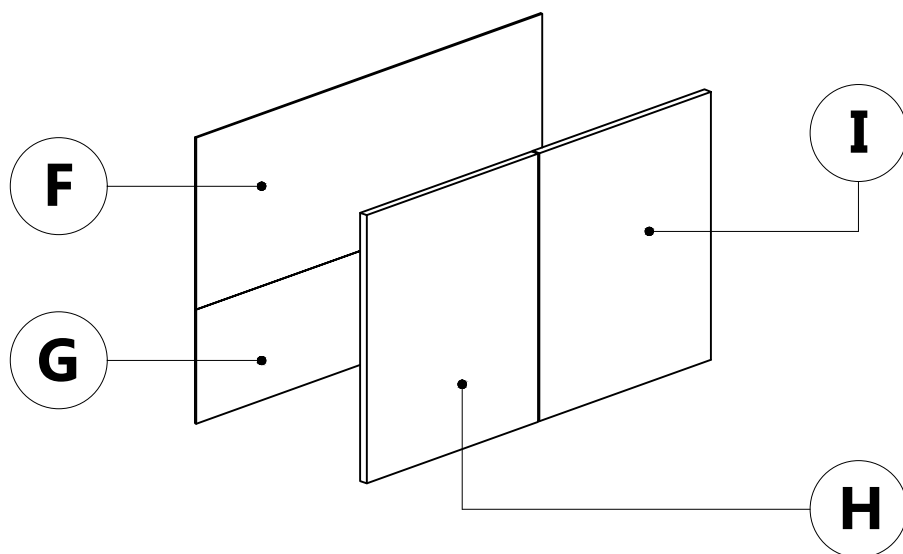
<p><b>A</b> Bottom Panel 800 x 374 x 15mm</p> 	<p><b>QTY</b>  1 Pc</p>	<p><b>B</b> Left Side Panel 457 x 375 x 15mm</p> 	<p><b>QTY</b>  1 Pc</p>	<p><b>C</b> Center Panel 457 x 375 x 15mm</p> 	<p><b>QTY</b>  1 Pc</p>
<p><b>D</b> Right Side Panel 457 x 375 x 15mm</p> 	<p><b>QTY</b>  1 Pc</p>	<p><b>E</b> Top Panel 800 x 394 x 30mm</p> 	<p><b>QTY</b>  1 Pc</p>	<p><b>F</b> Back Panels 797 x 300 x 3mm</p> 	<p><b>QTY</b>  1 Pc</p>
<p><b>G</b> Back Panels 797 x 199 x 3mm</p> 	<p><b>QTY</b>  1 Pc</p>	<p><b>H</b> Door Panel - Left Side 468 x 395 x 15mm</p> 	<p><b>QTY</b>  1 Pc</p>	<p><b>I</b> Door Panel - Right Side 468 x 395 x 15mm</p> 	<p><b>QTY</b>  1 Pc</p>
<p><b>J</b> Adjust Panels 376 x 343 x 15mm</p> 	<p><b>QTY</b>  2 Pcs</p>				

# The Breakdown

## I) Main Unit :



## II) Door & Back panels :

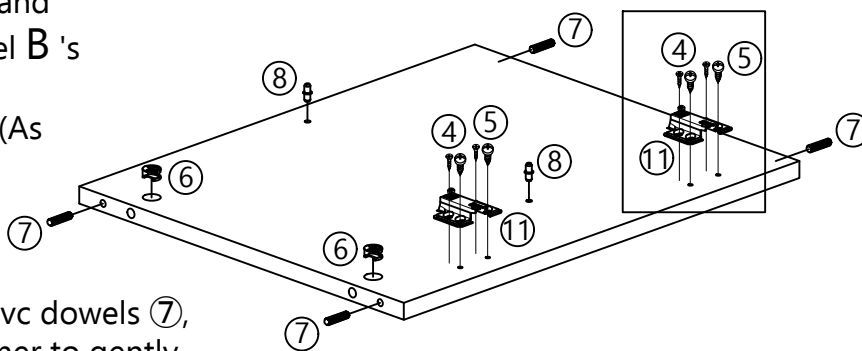


## Pre - Assembly

Insert the mini fix ⑥ (nuts) with the cross arrow mark facing downward and aim to panel B's top thru holes. (As shown)

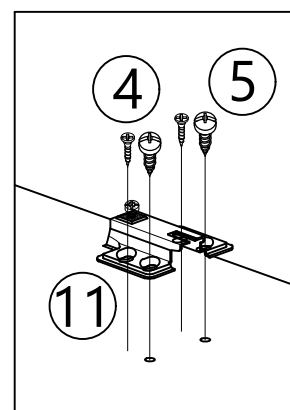
Insert 2 shelf supports ⑧ into panels B's non thru holes as shown.

Place hinge ⑪ at the panels B as shown. Then tighten the hinge ⑪ with 2 screws ④ and 2 screws ⑤.



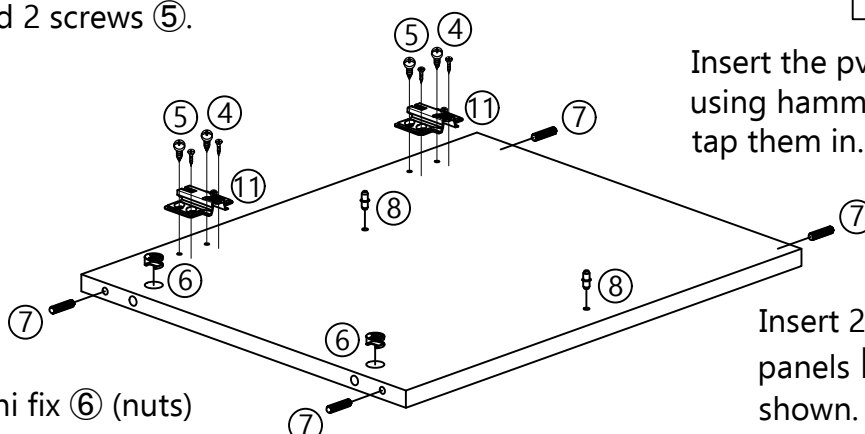
Insert the pvc dowels ⑦, using hammer to gently tap them in.

### PANEL B



Place hinge ⑪ at the panels D as shown. Then tighten the hinge ⑪ with 2 screws ④ and 2 screws ⑤.

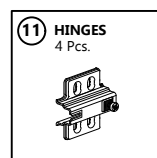
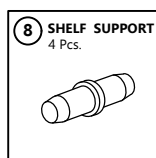
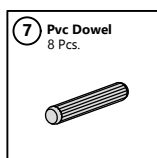
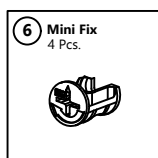
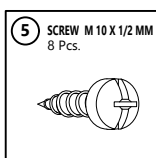
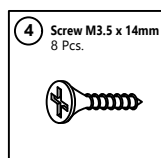
Insert the pvc dowels ⑦, using hammer to gently tap them in.



Insert 2 shelf supports ⑧ into panels D's non thru holes as shown.

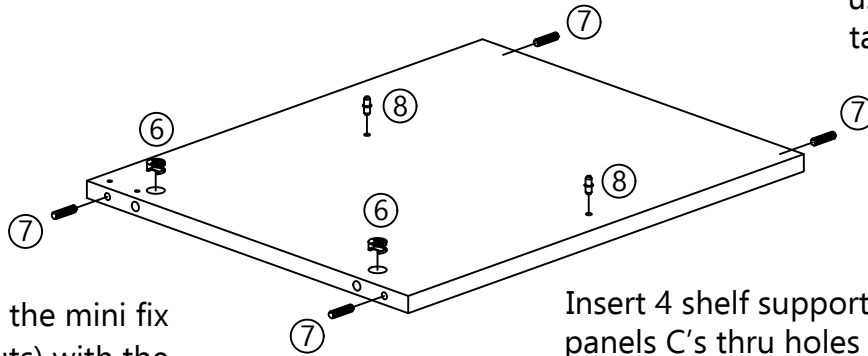
Insert the mini fix ⑥ (nuts) with the cross arrow mark facing downward and aim to panel D's top thru holes. (As shown)

### PANEL D



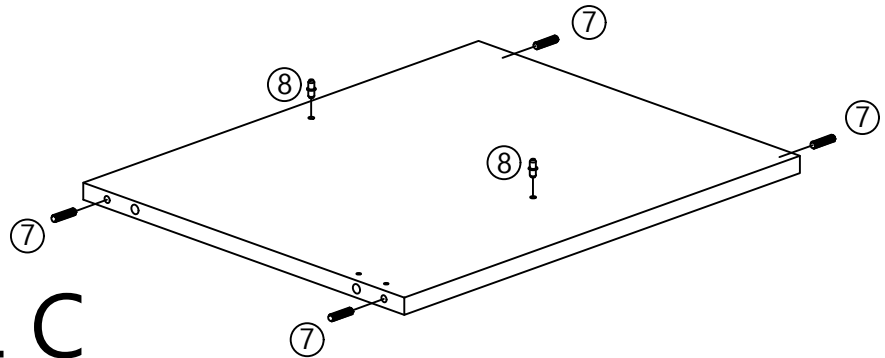
## Pre - Assembly

Insert the pvc dowels ⑦, using hammer to gently tap them in.



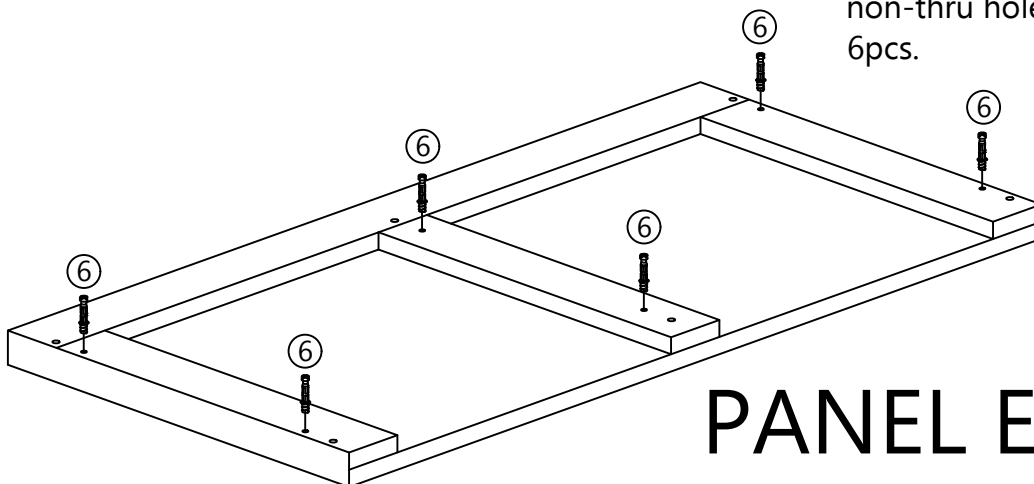
Insert the mini fix ⑥ (nuts) with the cross arrow mark facing downward and aim to panel B's top thru holes. (As shown)

Insert 4 shelf supports ⑧ into panels C's thru holes as shown.

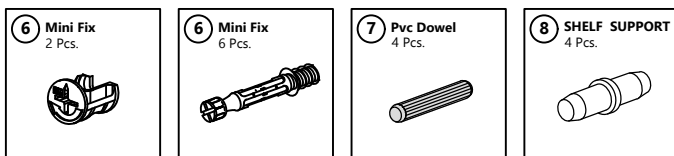


### PANEL C

Insert, push down and tighten mini fix screw ⑥, to the non-thru hole panel E as shown, 6pcs.

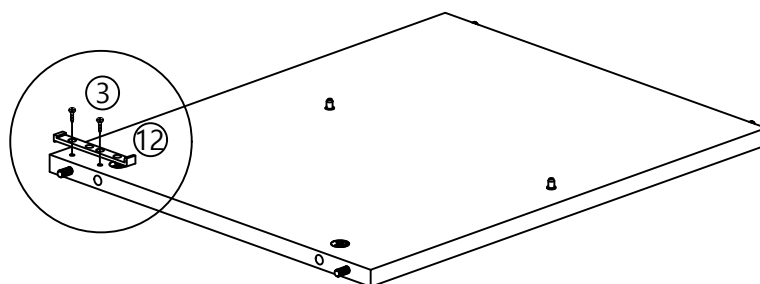
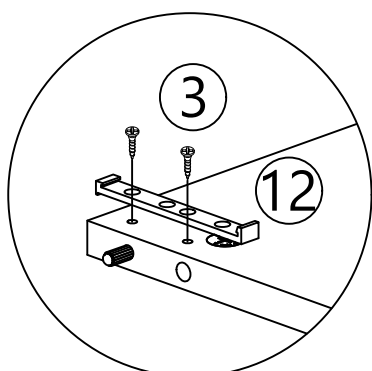


### PANEL E



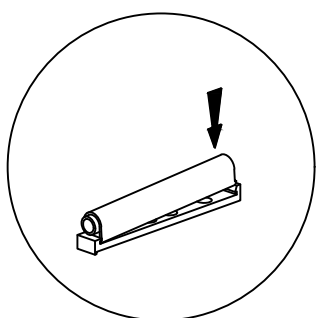
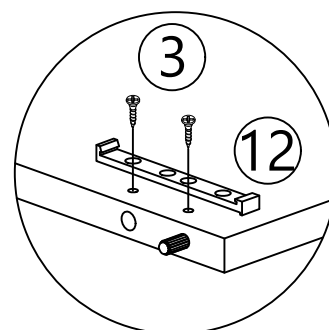
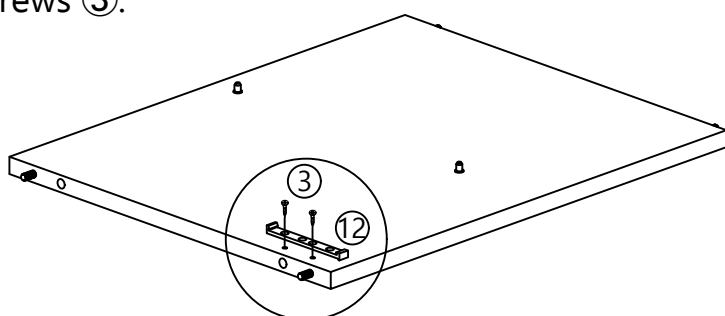


## Pre - Assembly

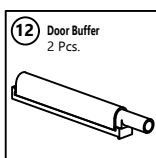
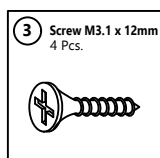


Place door buffer base ⑫ at the panels C as shown. Then tighten the door buffer base ⑫ with 2 screws ③.

## PANEL C

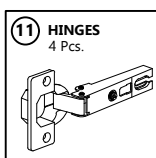
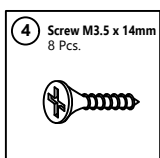
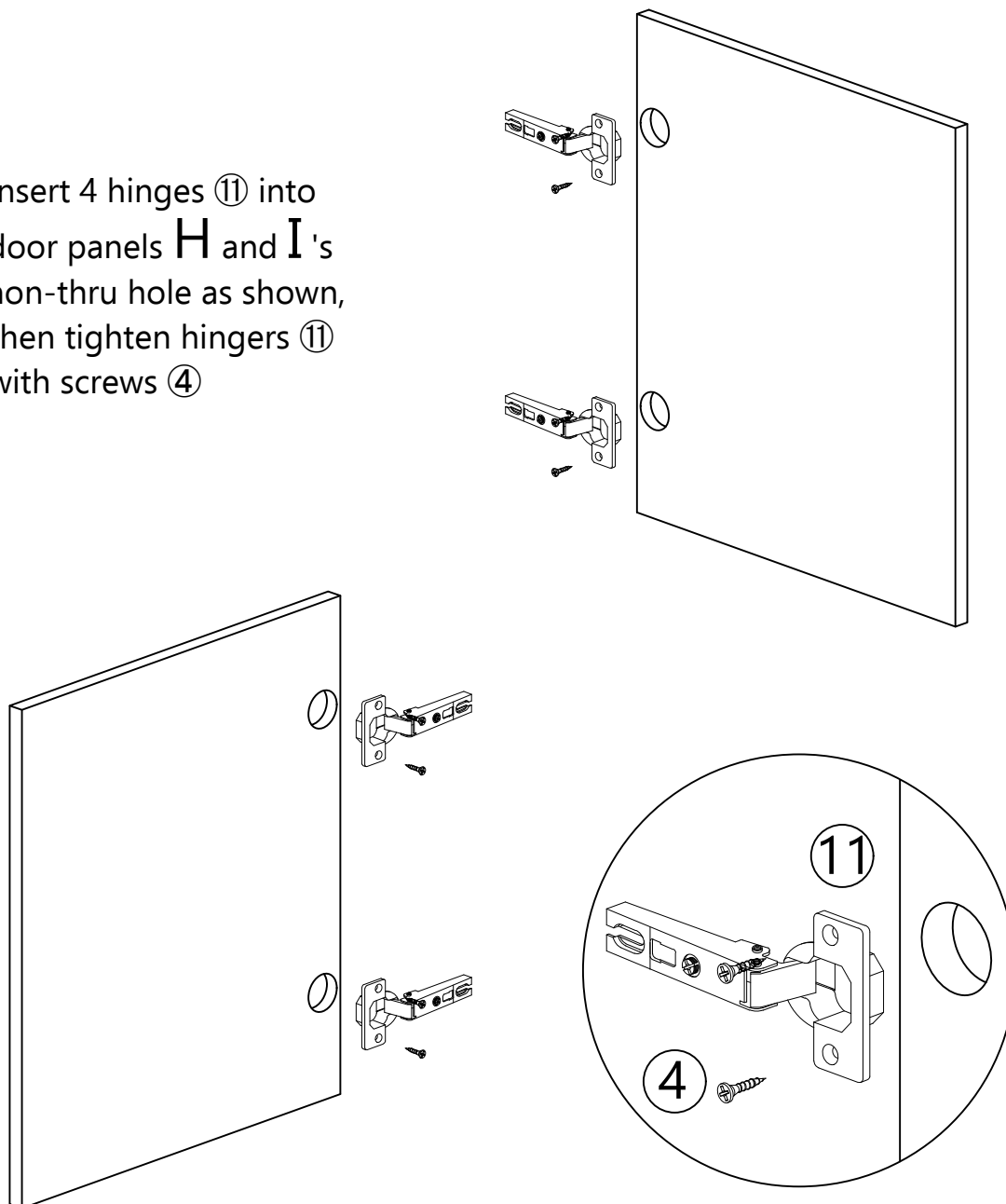


After tighten door buffer base ⑫ at the panels C. Then insert the door buffer magnet ⑫ onto the base door buffer ⑫. (As shown)



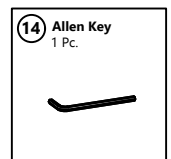
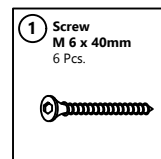
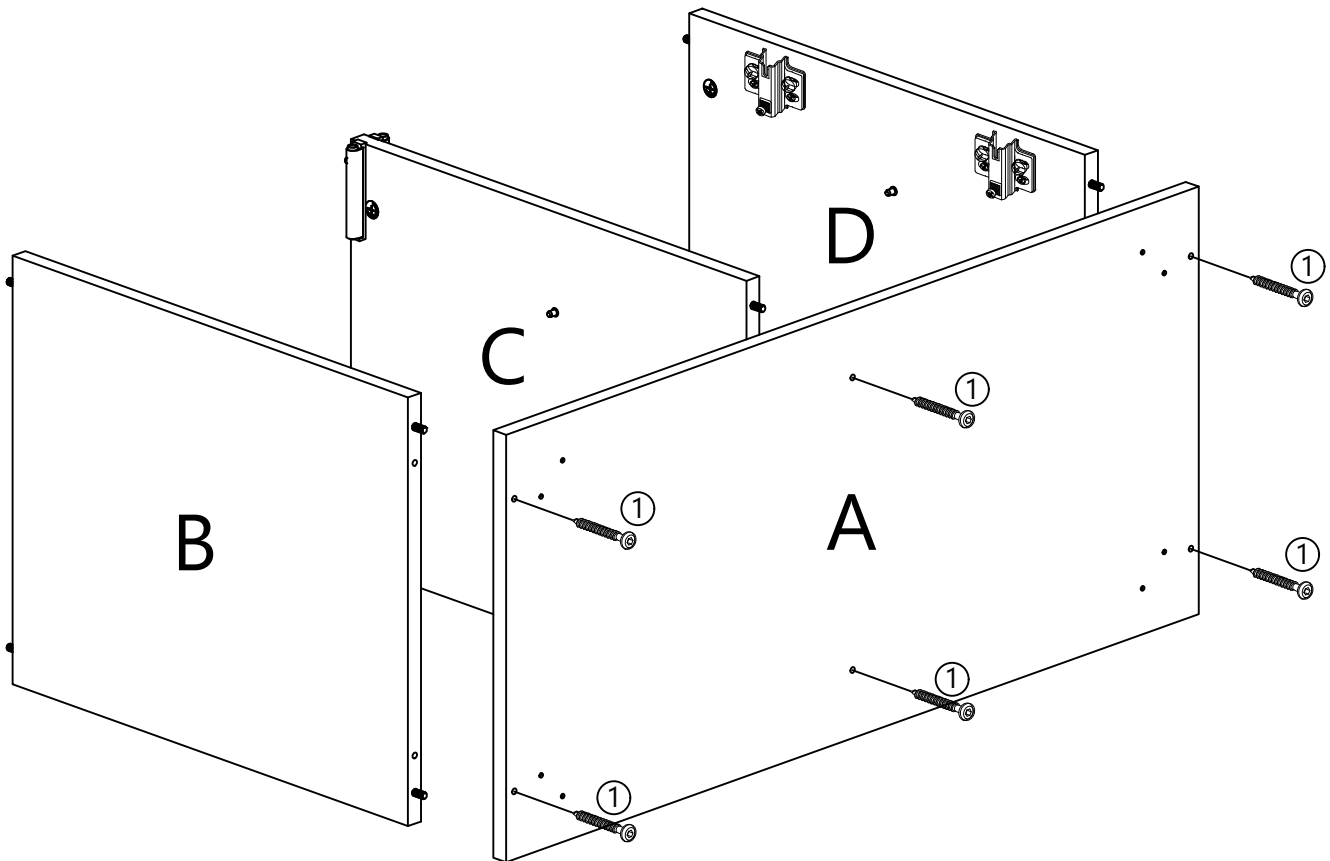
## Pre - Assembly

Insert 4 hinges ⑪ into door panels **H** and **I**'s non-thru hole as shown, then tighten hinges ⑪ with screws ④



## Step 1

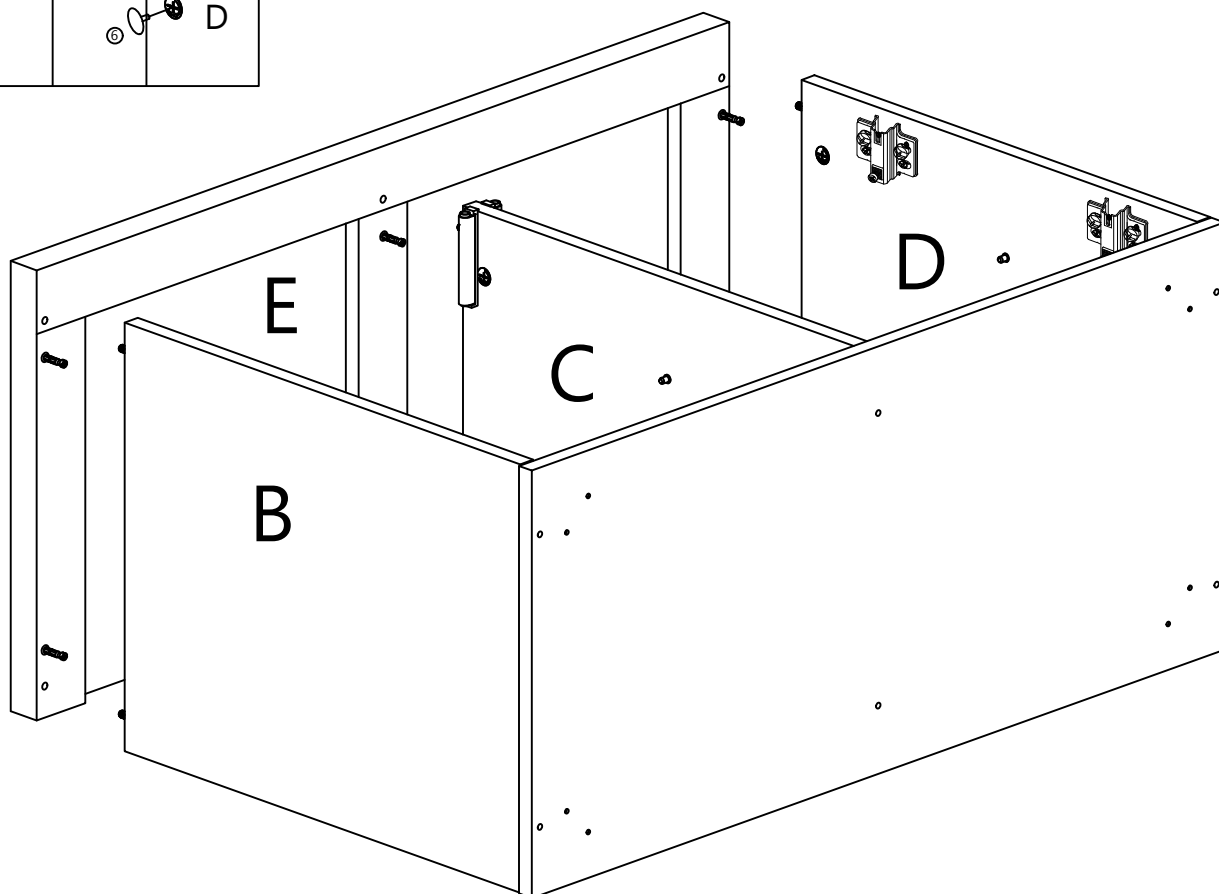
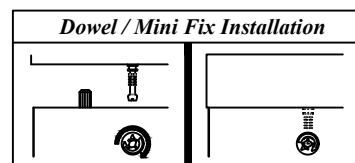
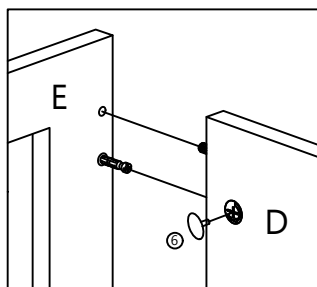
- \* Place and fix Panel B,C and D onto Panel A by inserting the (Bottom) dowels onto the non-thru holes at Panel A.
- \* Using allen key ⑭ to tighten screws ① from the 6 thru holes of panel A , one by one.



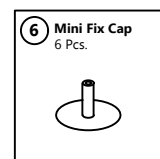
**CAUTIONS** : When insert the PVC Dowels to non-thru holes, don't push to hard. Otherwise, the side panels ( A ) may be damaged.

## Step 2

Place and fix panel E onto panel B, C and D, and align properly by inserting the 6 (down) mini fix screws ⑥ onto the L-thru holes at top edge of panel B, C and D. At the same time, inserting panel B, C and D's upside dowel going onto panel E's non-thru holes.



\*Then, tighten mini fix ⑥ clockwise to lock the mini fix up for tightening panel E.  
Cover 6 mini fix caps provided by pushing the cover's stem onto the hole of mini fix nut on upper side of panel B, C and D.

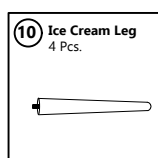
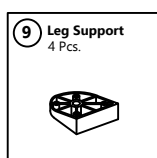
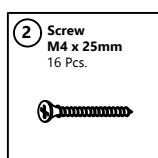
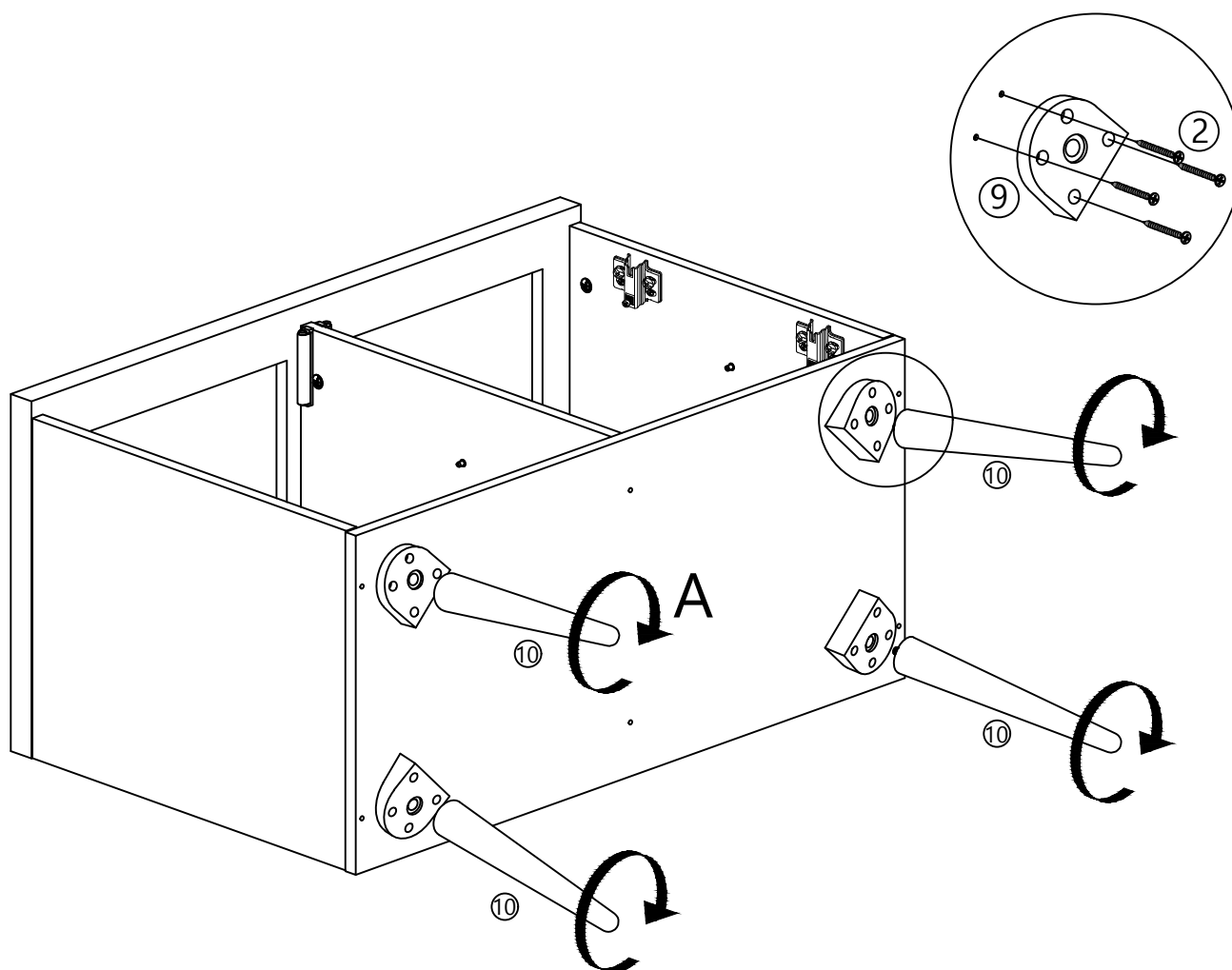


**CAUTIONS** : When insert the PVC Dowels to non-thru holes, don't push to hard. Otherwise, the side panels ( E ) may be damaged.

## Step 3

Place and tighten the support leg ⑨ onto panel A using screws ②.  
(As shown)

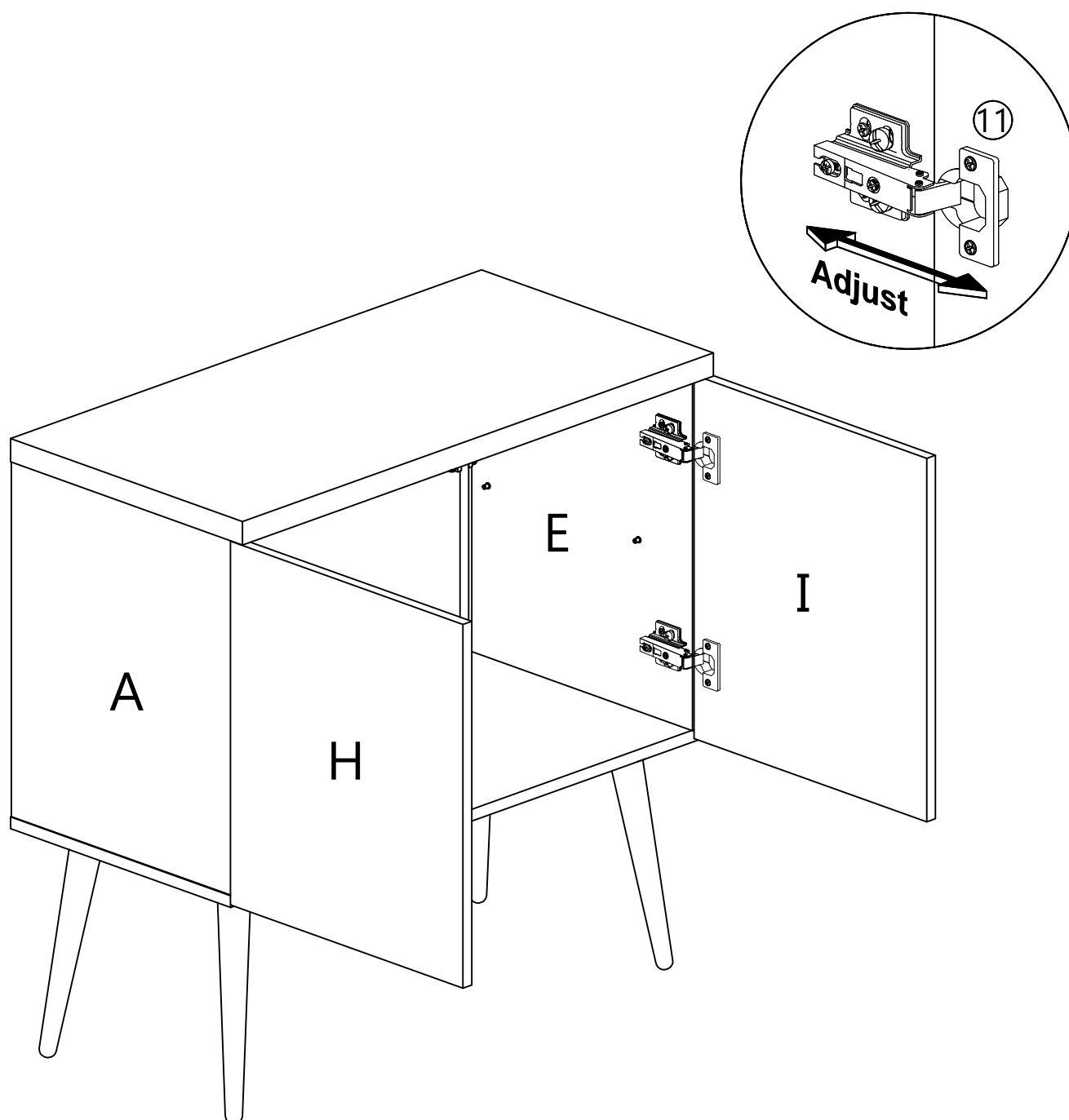
Then, tighten the ice cream leg ⑩ by insert the thread of ice cream leg ⑩ to the support leg ⑨ and turning clockwise to lock.



## Step 4

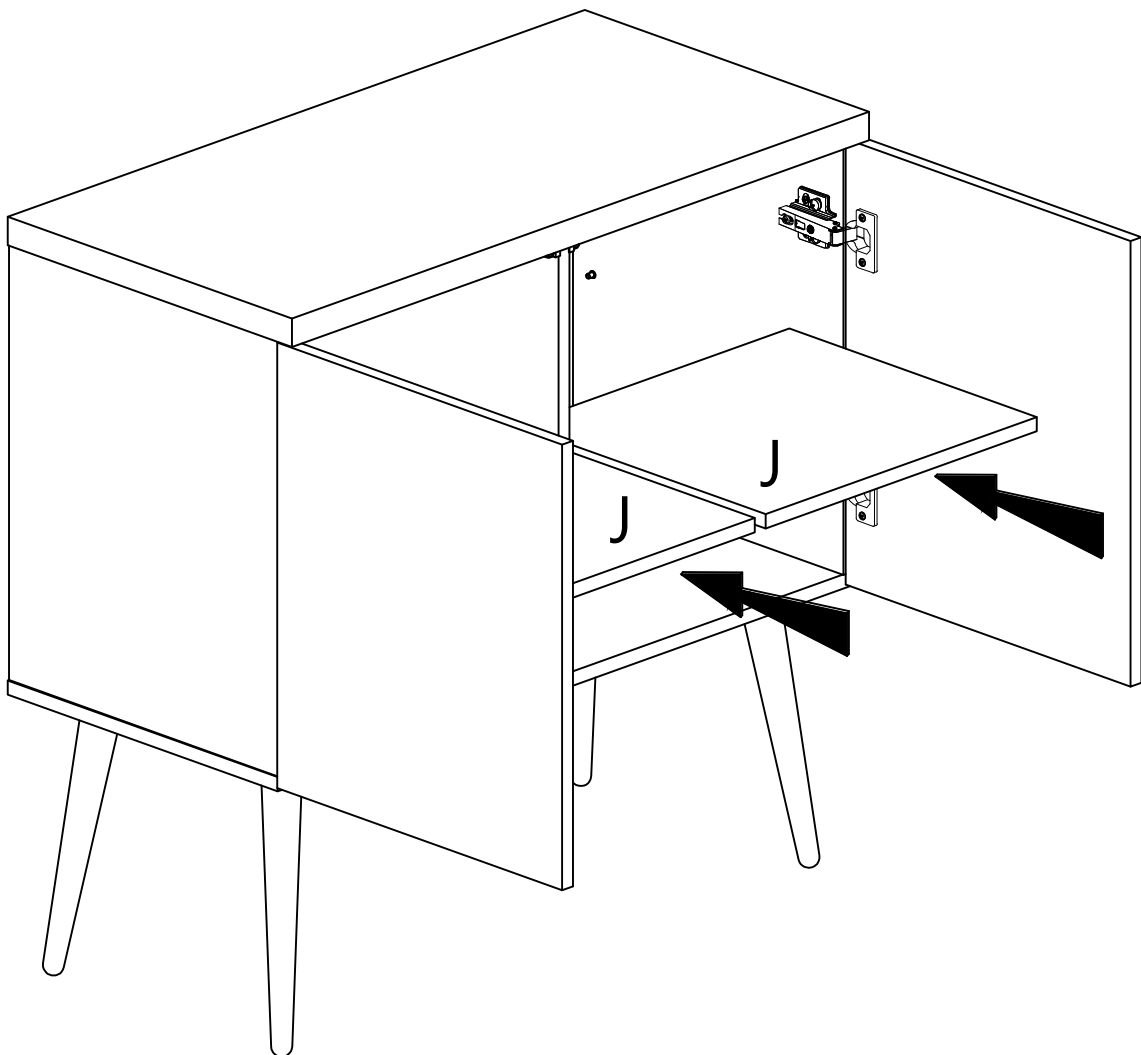
Lift up the main unit carefully and let it stand up properly.

Join the door panels H and I's hinges with panel A and E's hinges as shown. You can align the door by tightening and loosening the screws as shown.



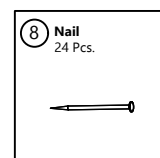
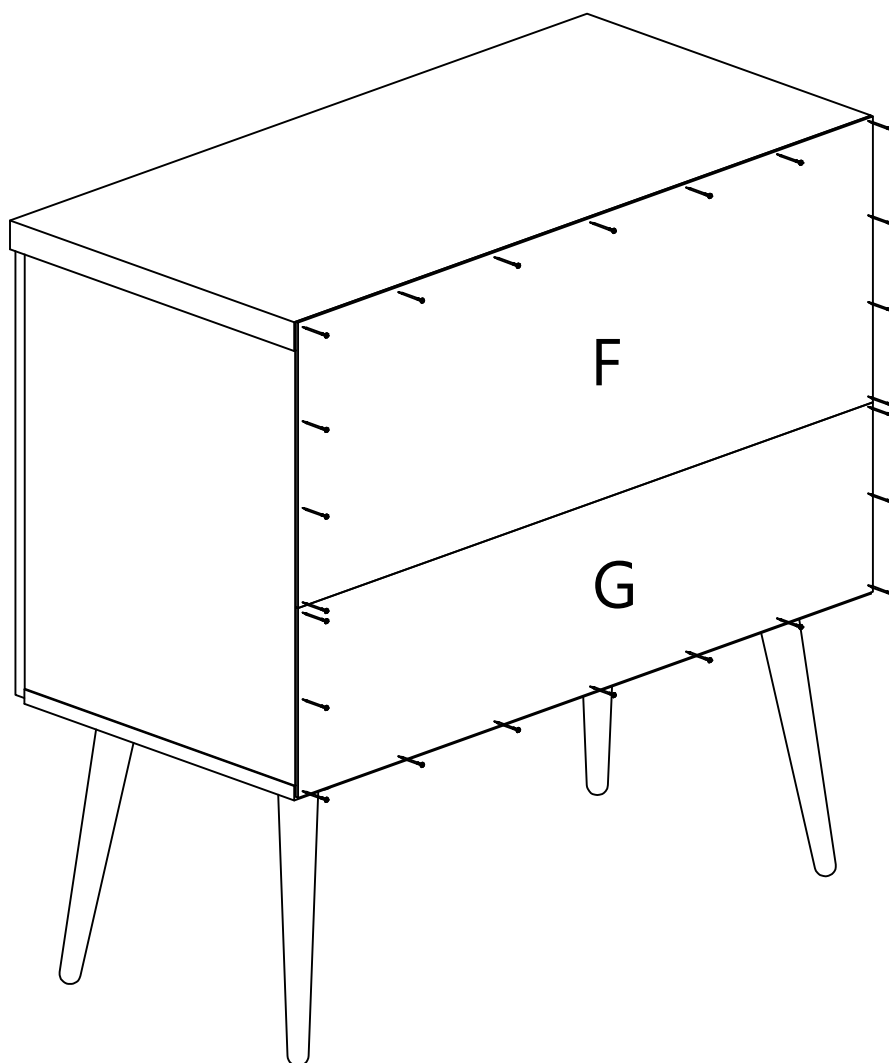
## Step 5

Put adjust panels J onto shelf support as shown.



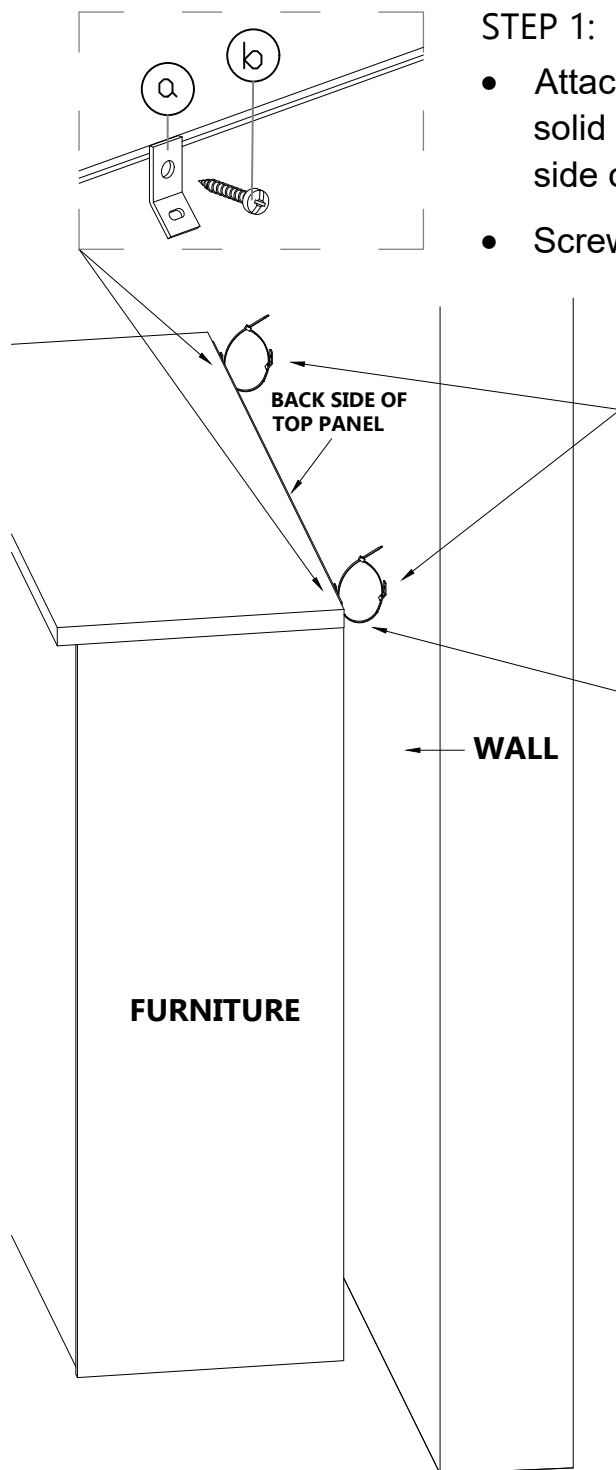
## Step 6

- \* Place the back panel F and G onto the back of the main unit. Then align them properly for nailing.
- \* Then use hammer to nail the nails one by one and at center of 4 side edges. Gap between 2 nails should be about 100mm for all.



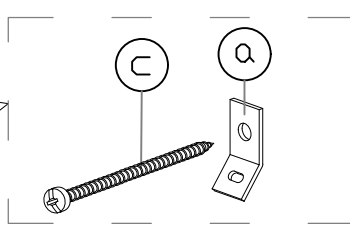


## FITTING OF ANTI-TIP SAFETY STRAP



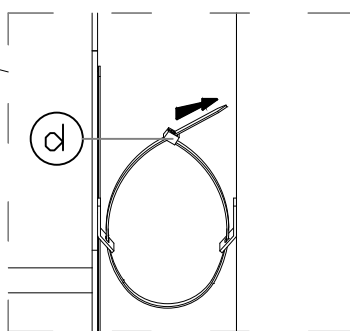
### STEP 1:

- Attach the mounting bracket (a) to the furniture in the solid part below the top panel a few inches away from the side of the unit.
- Screw (b) through the smallest hole of (a).



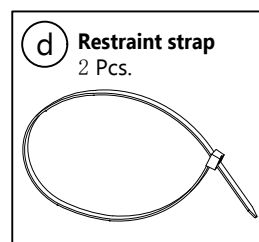
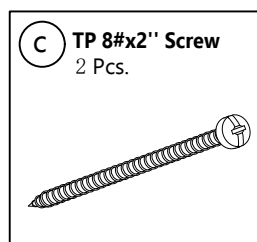
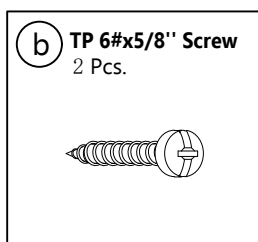
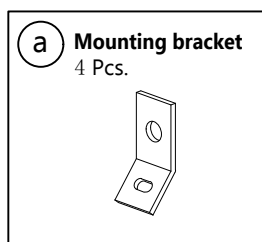
### STEP 2:

- Locate a stud in the wall behind the unit, does not have to be centered.
- Place the other mounting bracket (a) on the wall stud 2 inches below the mounting bracket secured to the back of your unit.
- Attach to the wall stud using (c) through the smaller hole of (a).



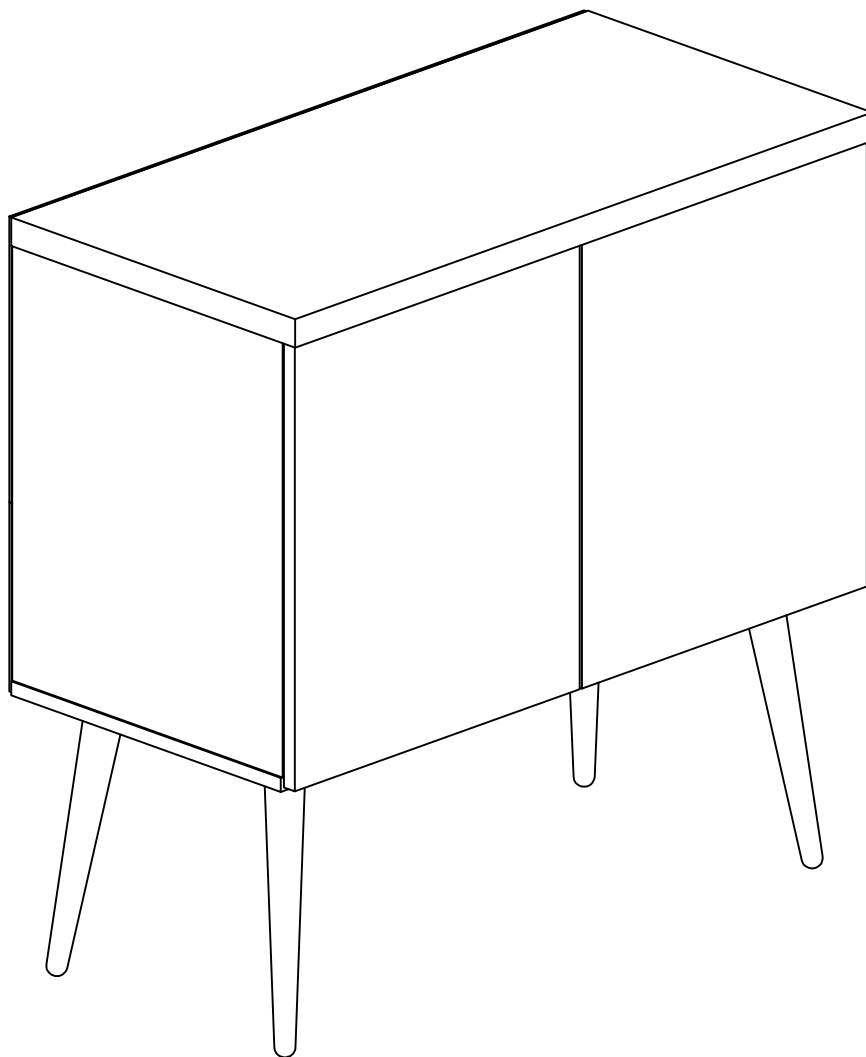
### STEP 3:

- Repeat the same step a few inches away from the other side of the unit.
- Place the furniture into position so both mounting brackets are vertically in line.
- Lace the end of the restraint strap through the larger holes in each mounting bracket.
- Secure the straps and lock into place.



HODEDAH®

## Completion



Enjoy & Thank you for purchasing from Hodedah!



In the interest of our environment please dispose of all packaging thoughtfully.