

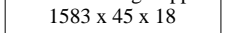




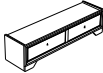

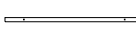




ASSEMBLY INSTRUCTIONS

STYLE # : 98802
NOMA QUEEN BED

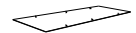
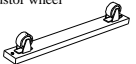
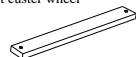
(Box 1)
BOX OF HEADBOARD

No	ITEM	Qty
A	Headboard 	1 pc
B	Headboard Left & Right  NAIL LEG	2 pcs
B.1	Headboard Leg Support 1583 x 45 x 18 	1 pc

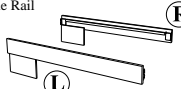
(Box 2)
BOX OF FOOTBOARD

No	ITEM	Qty
C	Footboard 	1 pc
D	Slat 1545 x 45 x 18 	9 pcs
E	Center Slat - L1500 x 45 x 18 	1 pc
F	Slat Support - L320 x 30 x 30 	2 pcs
G	Trundle Drawer Front Panel 	2 pcs
H	Trundle Drawer Side Panel 	4 pcs
I	Trundle Drawer Back Panel 	2 pcs




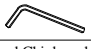
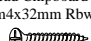
(Box 2)
BOX OF FOOTBOARD

No	ITEM	Qty
J	Trundle Drawer Bottom Panel 	2 pcs
K	Trundle Drawer Bottom Support with custer wheel 	4 pcs
L	Trundle Drawer Bottom Support without custer wheel 	4 pcs




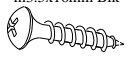
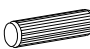
(Box 3)
BOX OF SIDE RAIL

No	ITEM	Qty
M	Side Rail 	2 pcs

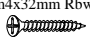



(Box 1)
HARDWARE LIST

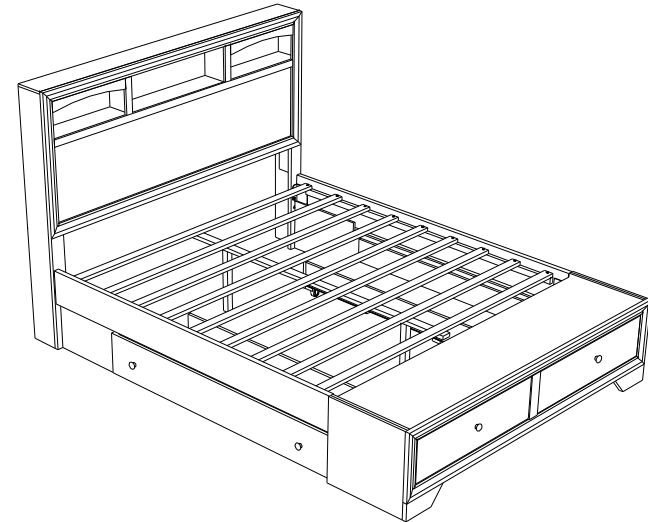
No	ITEM	Qty
1	JCBC M6 x 35mm 	8 pcs
2	SPRING WASHER 1/4" Rbw 	8 pcs
3	Flat Washer 1/4"ID x 19mmOD Blk 	8 pcs
4	ALLEN KEY m4x65mm Blk 	1 pc
4.1	Flat Head Chipboard Screw m4x32mm Rbw 	2 pcs

(Box 2)
HARDWARE LIST

No	ITEM	Qty
5	K1536 D34mmxH22mm Handle Antique Brass 	4 pcs
6	Handle Screw m4x35mm Blk 	4 pcs
7	Flat Head Chipboard Screw m4x32mm Rbw 	24 pcs
8	Pan Head Chipboard Screw m3.5x16mm Blk 	12 pcs
9	Wood Dowel 6mmx30mm 	16 pcs

(Box 2)
HARDWARE LIST

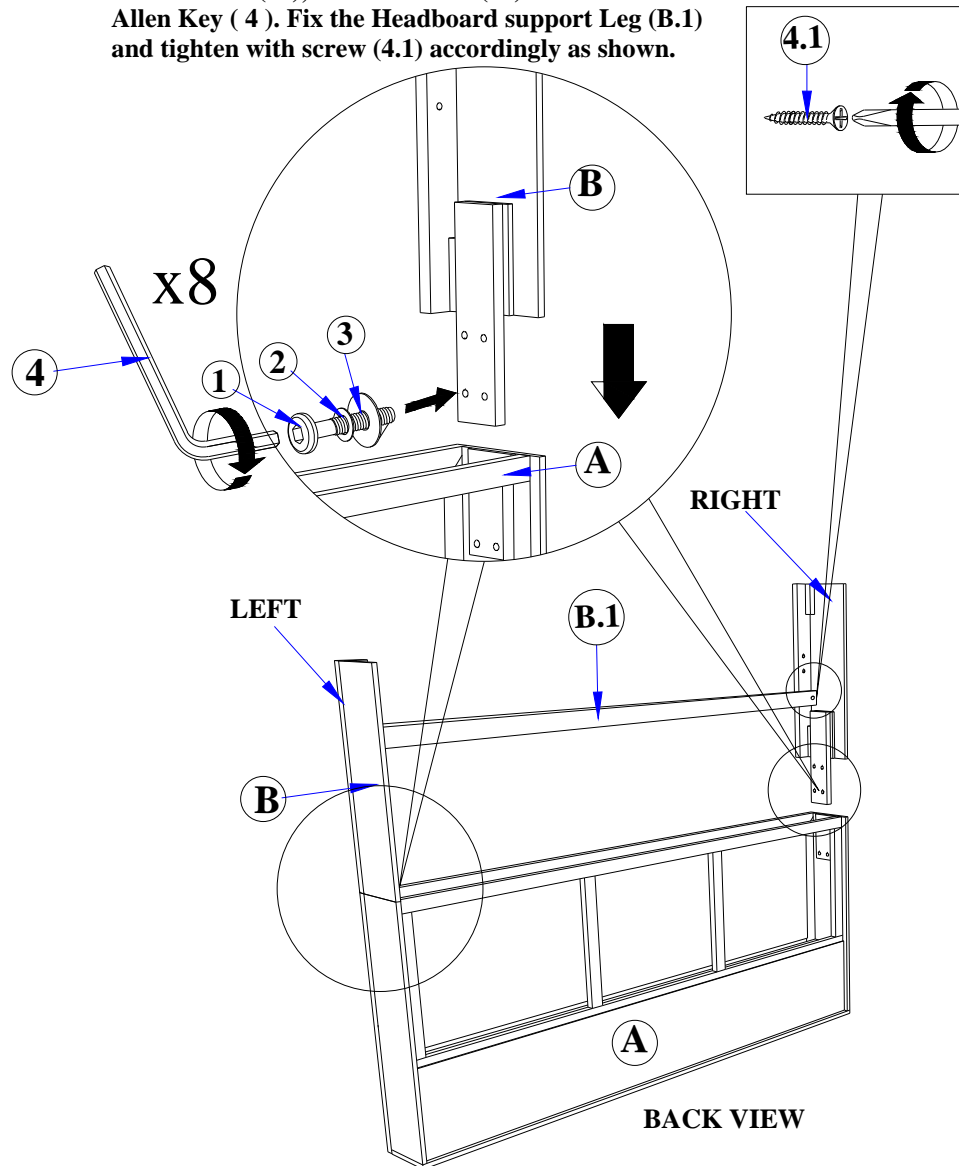
No	ITEM	Qty
10	Flat Head Chipboard Screw m4x32mm Rbw 	18 pcs
11	JCBC M6 x 50mm 	2 pcs
12	ALLEN KEY m4x65mm Blk 	1 pc
13	ALLEN KEY m5x65mm Blk 	1 pc



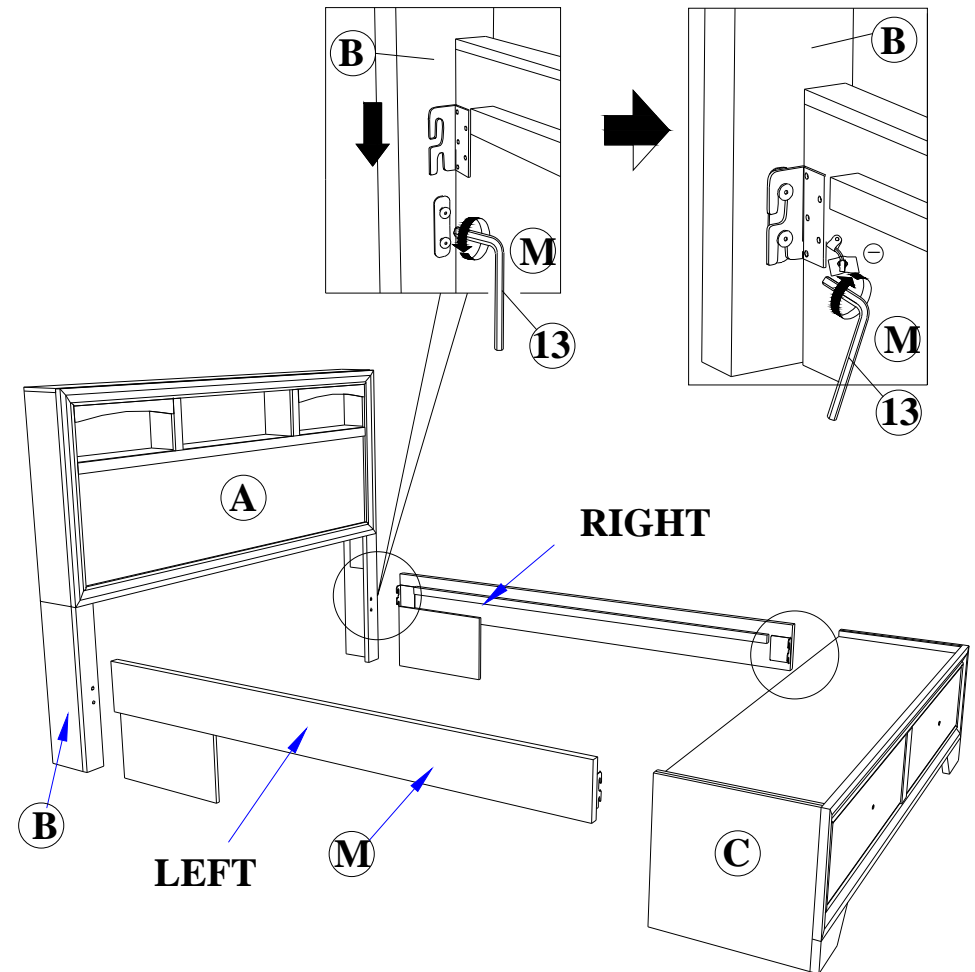
NOTE : DURING ASSEMBLY, DO NOT TIGHTEN ANY HARDWARE UNTIL THE COMPLETE UNIT HAS BEEN ASSEMBLED.

ASSEMBLY INSTRUCTIONS

STEP 1 : Attached and tighten the Headboard Leg L/R (B) to the Headboard (A).Insert Spring Washer (2) Flat Washer (3),use JCBC Bolt (1) to fix with Allen Key (4). Fix the Headboard support Leg (B.1) and tighten with screw (4.1) accordingly as shown.

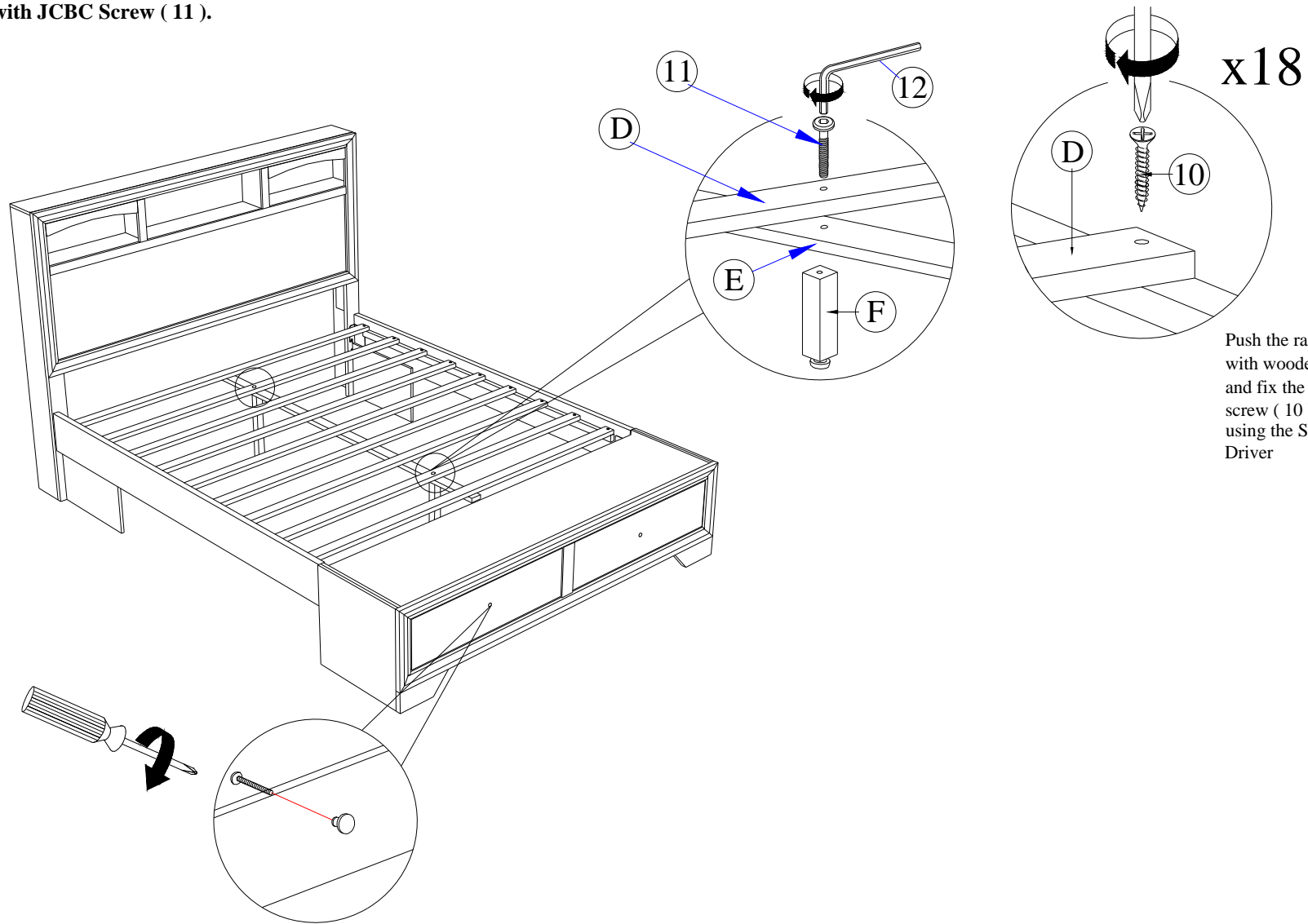


STEP 2 : Loosen the JCBB Bolt from Headboard Leg (B) and Footboard (C) using ALLEN KEY (13).Attach the Side Rail (M) to Headboard Leg (B) and Footboard (C) by pushing the bracket down to fit it.Tighten the JCBB Bolt with ALLEN KEY (13).



ASSEMBLY INSTRUCTIONS

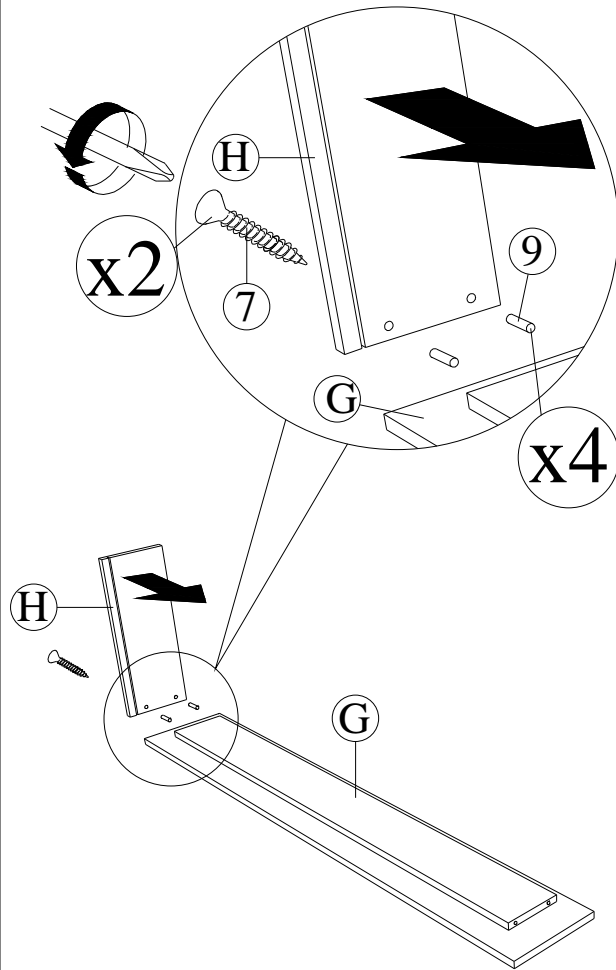
STEP 3 : Fix the Bed Slat Support (F) with adjuster,Center Rail (E) to Bed Slat (D). Attach the Assembled Bed Slat to Side Rail (M) Loosen and Tighten Adjuster for the Stability of Bed. Laterly, Tighten the Bed Slat (F) with JCBC Screw (11).



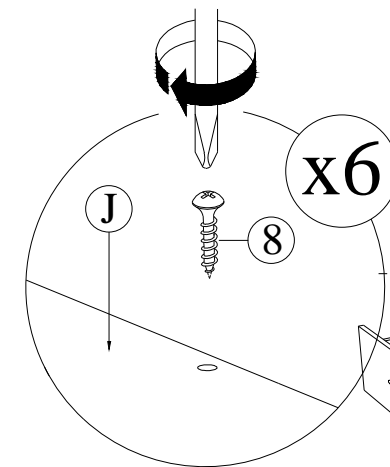
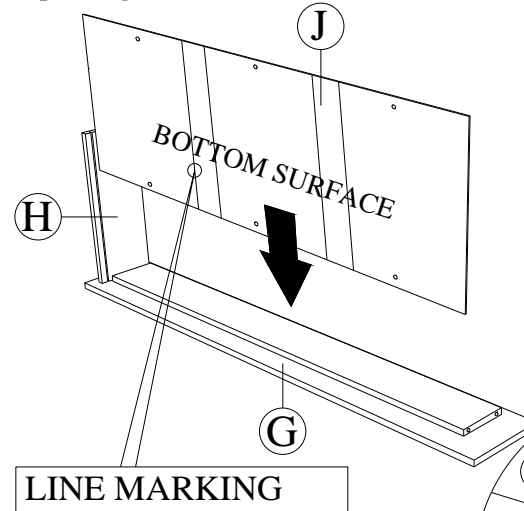
STEP 4 : Install the Handle in front of footboard drawer.Tighten the Handle Screw using Screw Driver.(Not Included)

ASSEMBLY INSTRUCTIONS

STEP 5(a) : Place the trundle drawer front panel (G) on clean surface then Fix the trundle drawer box side panel (H) by inserting a dowel (9) then tighten with csk screw (7) using Screw Driver as per diagram shown.(DO NOT FULLY TIGHTEN IN THIS STEP)

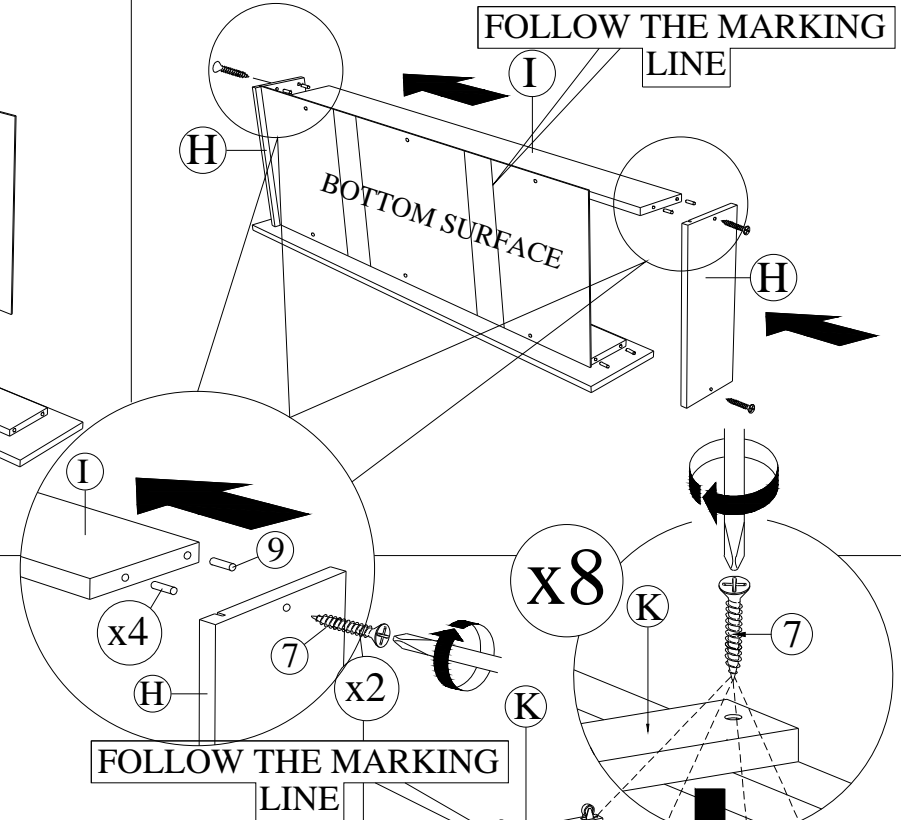


STEP 5 (b) : Slide in the bottom drawer panel (J) inside the groove of trundle drawer box side panel (H) and push it down to trundle front panel (G) as per diagram shown.

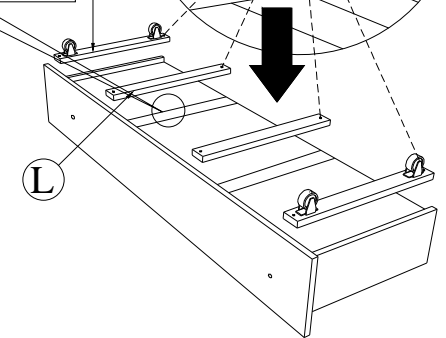


STEP 5 (d) : Fix the trundle bottom drawer panel (J) with Pan head Screw (8) and tighten using Screw Driver as per diagram shown.

STEP 5 (c) : Fix the trundle drawer back panel (I) and trundle drawer box side panel (H) by inserting a dowel (9) then tighten with csk screw (7) using Screw Driver as per diagram shown. (FULLY TIGHTEN ALL SCREWS IN THIS STEP)

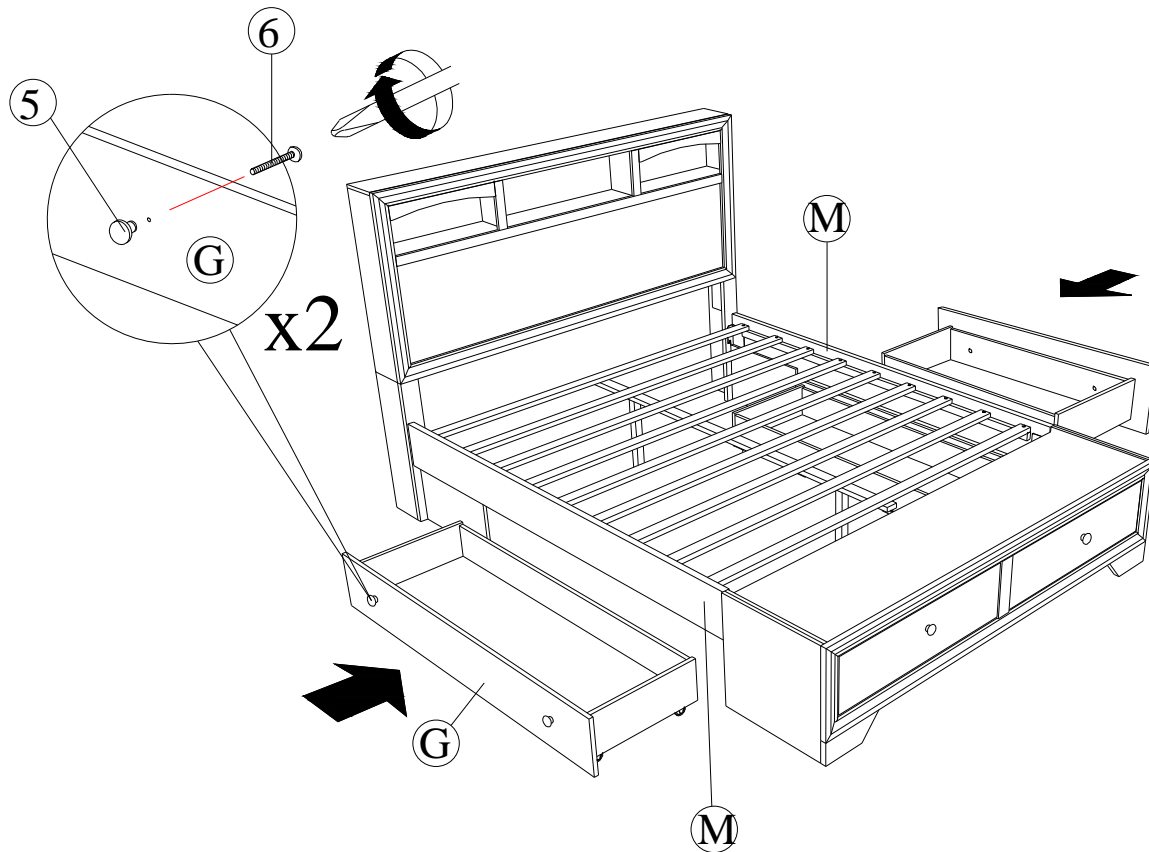


STEP 5 (e) : Fix the trundle bottom support rail (K) & (L) and tighten using Screw Driver as per diagram shown.

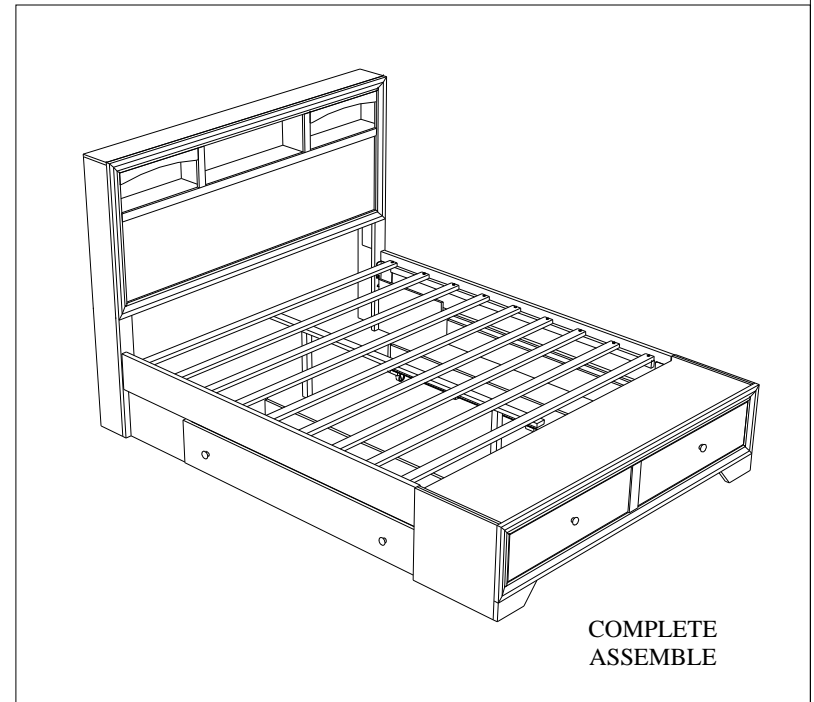


ASSEMBLY INSTRUCTIONS

STEP 6 : Install the Handle drawer (5) in front of Trundle drawer (G).Tighten the Handle Screw (6) using Screw Driver.(Not Included)



STEP 7 : Push The complete assembled Trundle drawer into side rail (M) as per diagram shown.



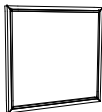


ASSEMBLY INSTRUCTIONS

**STYLE # : 98804 & 98805
NOMA DRESSER &
MIRROR**


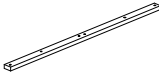
(BOX 1)

BOX OF MIRROR

NO	ITEM	QTY
	MIRROR	
A		1 PC

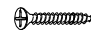
(BOX 2)

BOX OF DRESSER

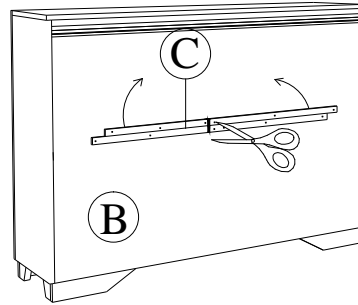
NO	ITEM	QTY
	DRESSER	
B		1 PC
	MIRROR SUPPORT	
C		2 PCS

(BOX 1)

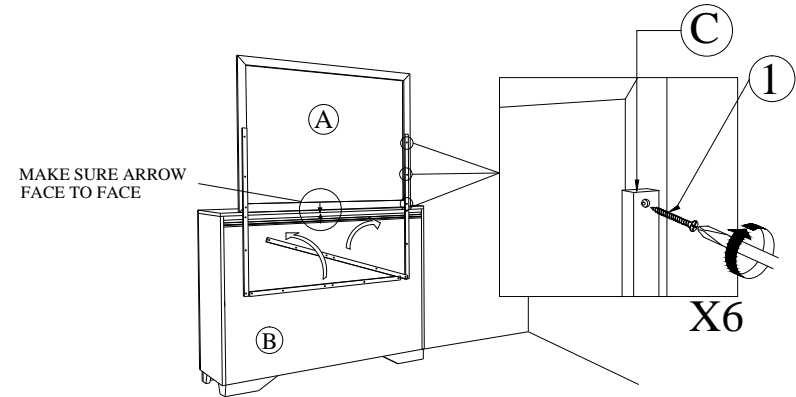
BOX OF MIRROR

NO	ITEM	QTY
	FLAT HEAD CHIPBOARD SCREW m4 x 32mm RBW	
1		10 PCS

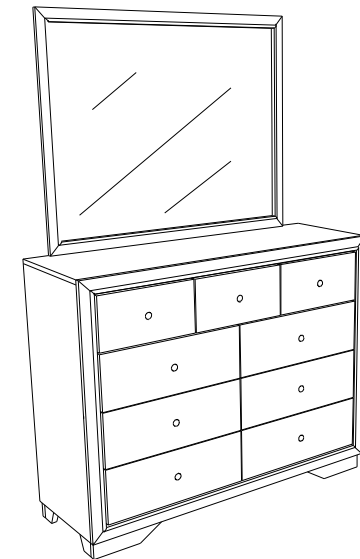
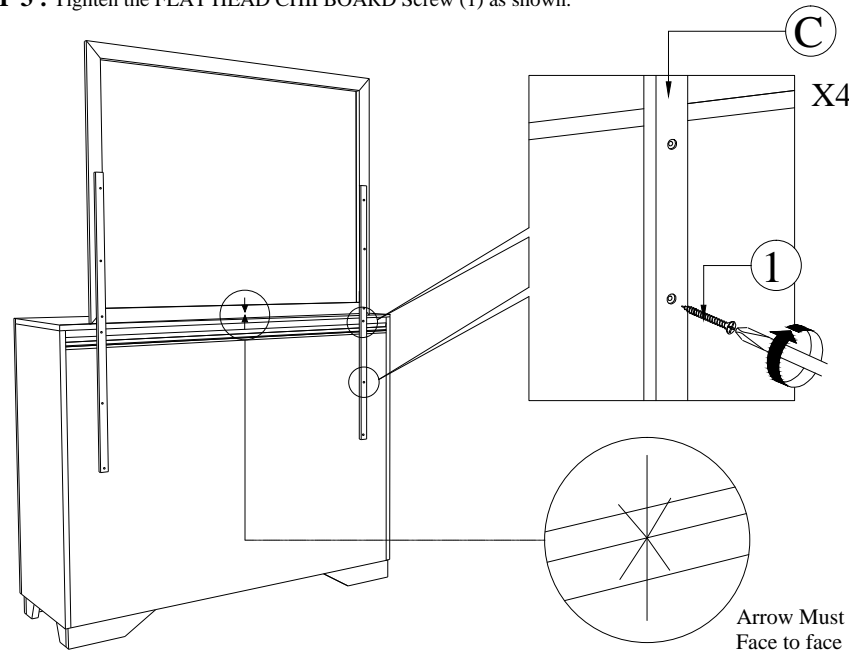
STEP 1 : Cut of the Raffia String from the back of DRESSER (B).



STEP 2 : Place the MIRROR FRAME (A) on the top of DRESSER (B), turn the MIRROR SUPPORT RAIL (C) upward at the back of DRESSER (B), then Tighten with FLAT HEAD CHIPBOARD SCREW (1).



STEP 3 : Tighten the FLAT HEAD CHIPBOARD Screw (1) as shown.



COMPLETED
ASSEMBLY

NOTE : MUST TIGHTEN SCREWS PERIODCALLY WITH USE SCREW WILL BECOME LOOSE CHECK TIGHTNESS OF ALL SCREW EVERY 6-8 WEEKS.